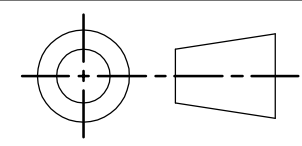
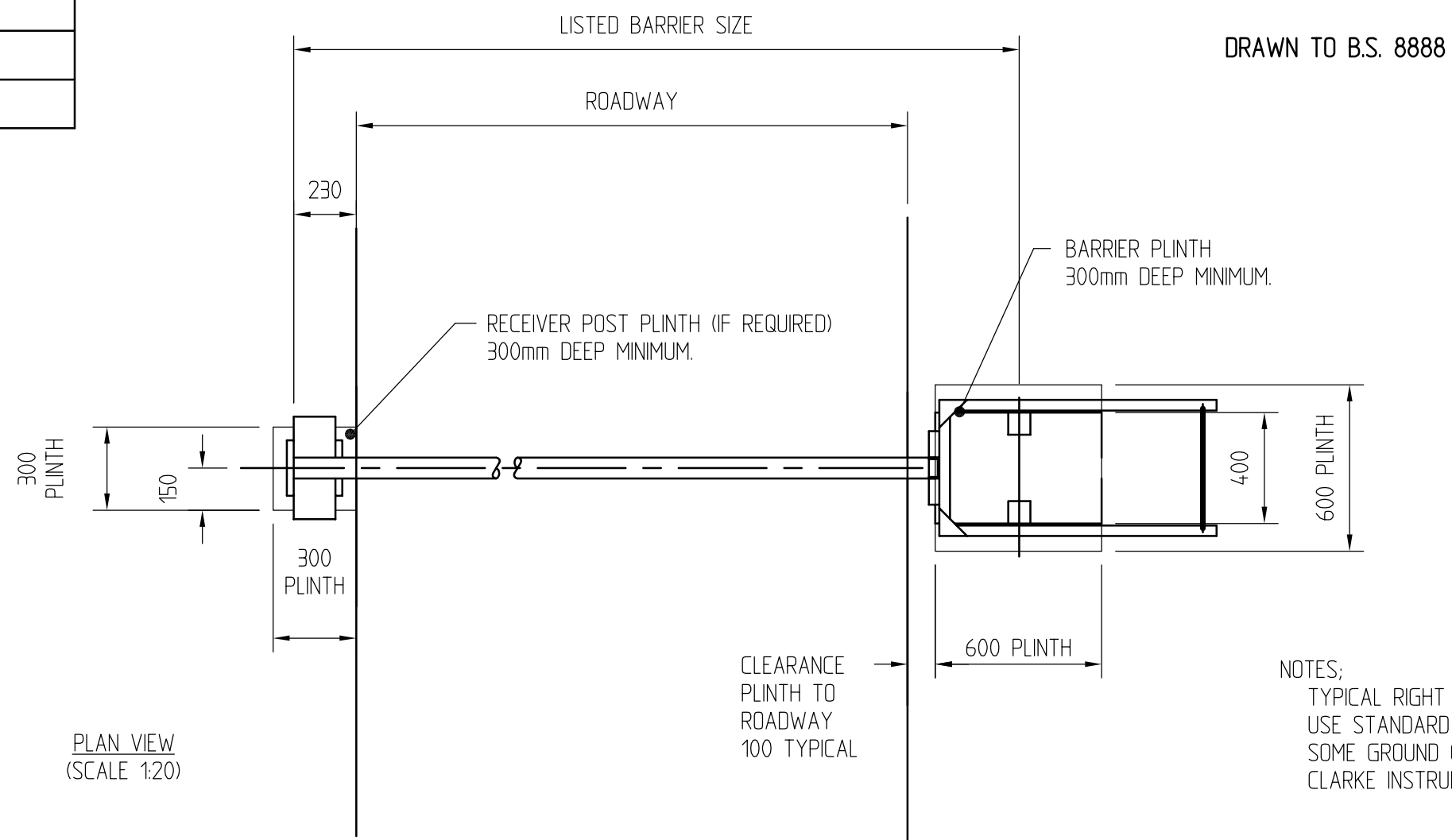


DRG.No.	602-201
USED ON	-

DRAWN TO B.S. 8888

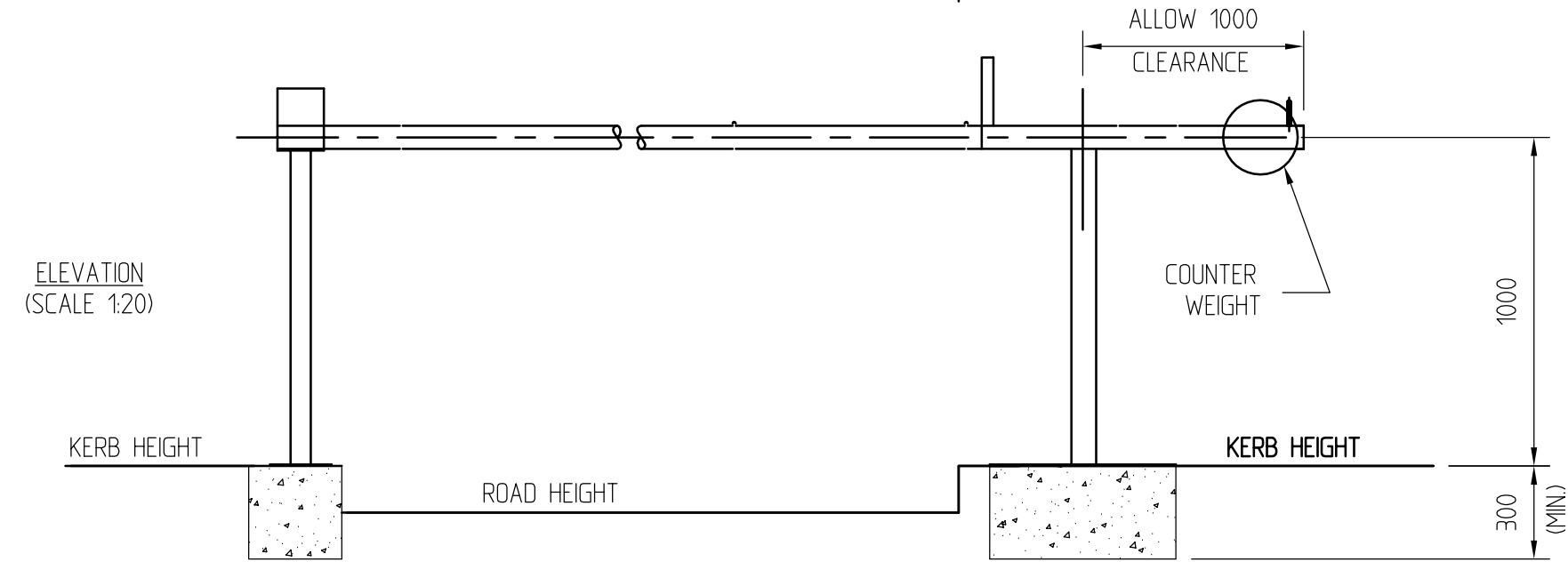


THIRD ANGLE PROJECTION



PLAN VIEW  
(SCALE 1:20)

NOTES;  
 TYPICAL RIGHT HAND BARRIER INSTALLATION SHOWN  
 USE STANDARD CONCRETE MIX  
 SOME GROUND CONDITIONS MAY REQUIRE GREATER PLINTH DEPTH  
 CLARKE INSTRUMENTS LIMITED RESERVE THE RIGHT TO CHANGE THE DESIGN WITHOUT NOTICE



ELEVATION  
(SCALE 1:20)

C	10.04.06	ALLOWANCE WAS 800			
B	23.06.05	CN/5788			
A	16/06/04	-			
ISSUE	DATE	CHANGE NOTE			
DRAWN	LG	CHECKED	CERTD.	SCALE	N.T.S

PROTECTIVE FINISH	-
MATERIAL	-
STORES REF.	-
TOLERANCES FOR DIMENSIONS	
DIMS. SHOWN THUS	>449 ±1
DIMS. SHOWN THUS	1. ±0.4
DIMS. SHOWN THUS	1.0 ±0.15
DIMS. SHOWN THUS	1.00 ±0.05
UNLESS OTHERWISE STATED	
ALL DIMENSIONS IN MILLIMETRES	

Clarke Instruments Ltd.	
TITLE	602 MANUAL BARRIER
DRG.No.	602-201
	A3