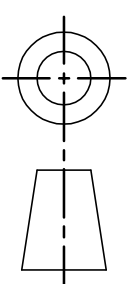
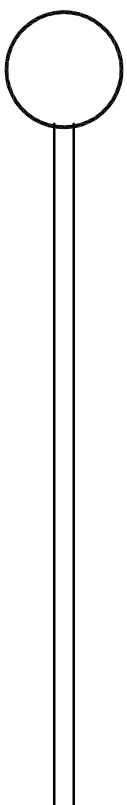


DRG.No.	181-200
USED ON	
	SA11958-A

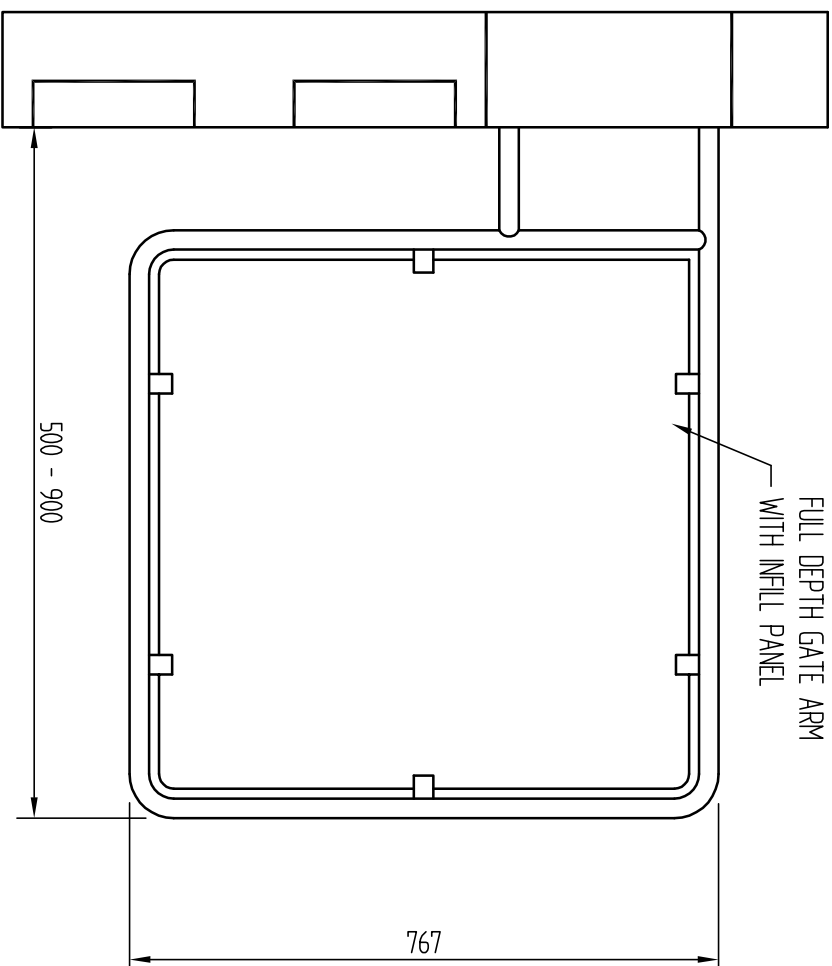
DRAWN TO B.S. 8888



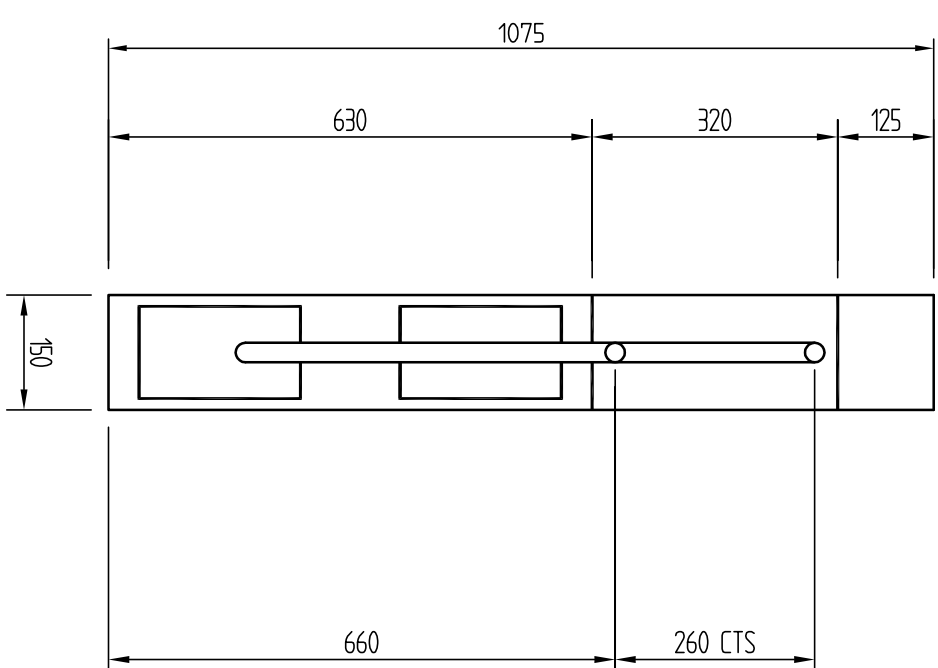
THIRD ANGLE PROJECTION



PLAN



SIDE ELEVATION



FRONT ELEVATION

PROTECTIVE FINISH	-
TOLERANCES FOR DIMENSIONS	
DIMS. SHOWN THUS	>4.9 ±1
DIMS. SHOWN THUS	1 ±0.4
DIMS. SHOWN THUS	10 ±0.15
DIMS. SHOWN THUS	100 ±0.05
	UNLESS OTHERWISE STATED
	ALL DIMENSIONS IN MILLIMETRES

ISSUE	DATE	CHANGE NOTE	CHECKED	CERTD.	SCALE	N.T.S.
B	01-05-09	LIGHT OPTION REMOVED				
A	28.01.04	-				
DRAWN	MKEADY					

MATERIAL	-
STORES REF.	-
TITLE	ROTOGATE LAYOUT DETAILS

Clark Instruments Ltd.	
DRG.No.	181-200
	A3