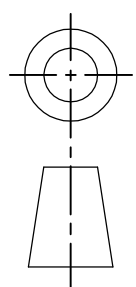


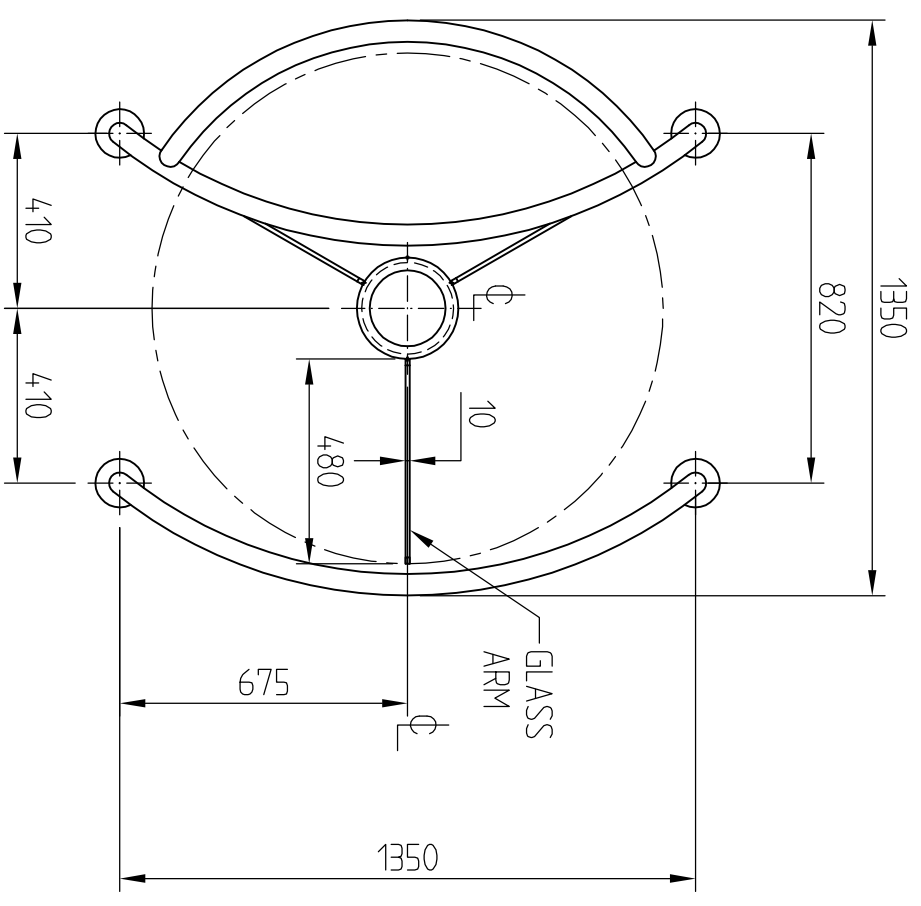
DRG.No.	183-200
USED ON	
OPUS - TBV327	

DRAWN TO B.S. 8888

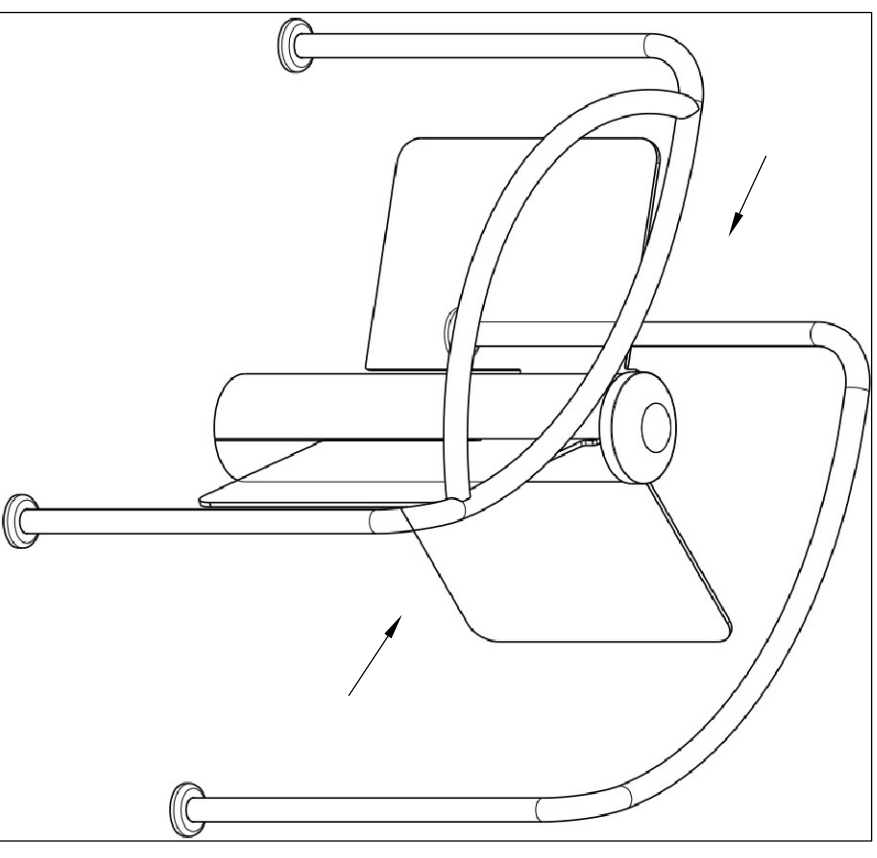


THIRD ANGLE PROJECTION

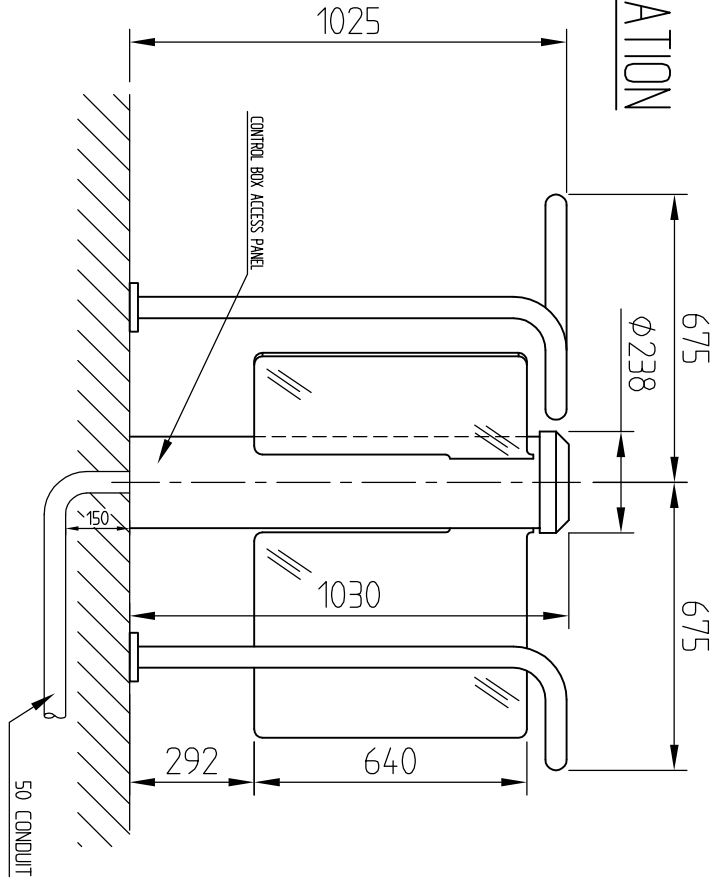
PLAN



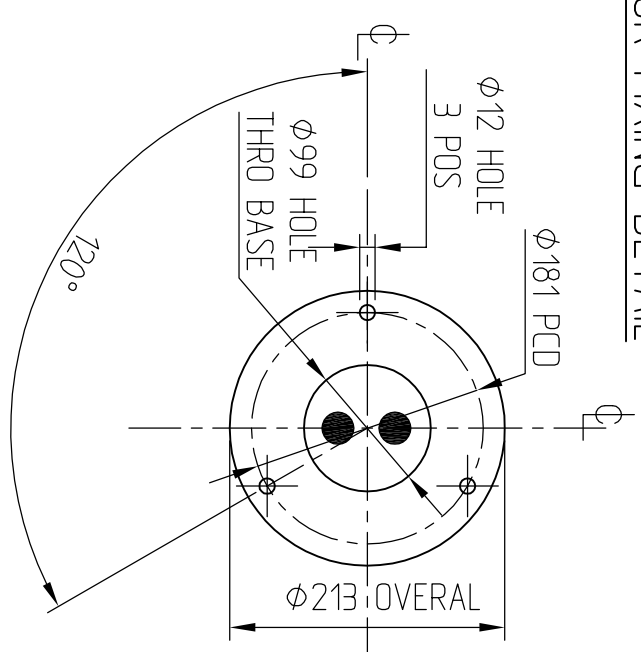
GENERAL VIEW



FRONT ELEVATION



FLOOR FIXING DETAIL



DIRECTION OF PASSAGE

DIRECTION OF PASSAGE

ARM IN CLOSED POSITION

PROTECTIVE FINISH	-					
TOLERANCES FOR DIMENSIONS						
DIMS. SHOWN THUS	>4.9 ±1					
DIMS. SHOWN THUS	1 ±0.4					
DIMS. SHOWN THUS	10 ±0.15					
DIMS. SHOWN THUS	100 ±0.05					
UNLESS OTHERWISE STATED						
ALL DIMENSIONS IN MILLIMETRES						
ISSUE	DATE	CHANGE NOTE	CHECKED	CERTD.	SCALE	N.T.S.
B	04.04.11	WIDTH REDUCED FROM 1600				
A	28.01.04	-				
DRAWN	MKEADY					

MATERIAL	-	<p>Clarkē Instruments Ltd.</p>	<p>DRG.No.</p> <p>183-200</p>
STORES REF.	TBV327-FT-EN-00-00		
TITLE	<p>THE OPUS LAYOUT DETAILS</p> <p>GLASS LOW HEIGHT TURNSTILE</p> <p>TBV327</p>		<p>A3</p>