

CLARKE ACCESS CONTROL PRODUCTS

TRIPOD TURNSTILES



Type 424

- Designed for Internal Applications
- Housing in powder coated mild steel or stainless steel
- Wood housings also available
- Electrically controlled
- UK manufactured
- Full systems design, installation and maintenance services also available

Applications:

Type 424 and 420A tripod turnstiles provide an attractive and convenient means of regulating pedestrian access through office foyers, leisure centres and other areas where it is necessary to restrict unauthorised visitors, whilst maintaining a welcoming atmosphere.

Control Equipment:

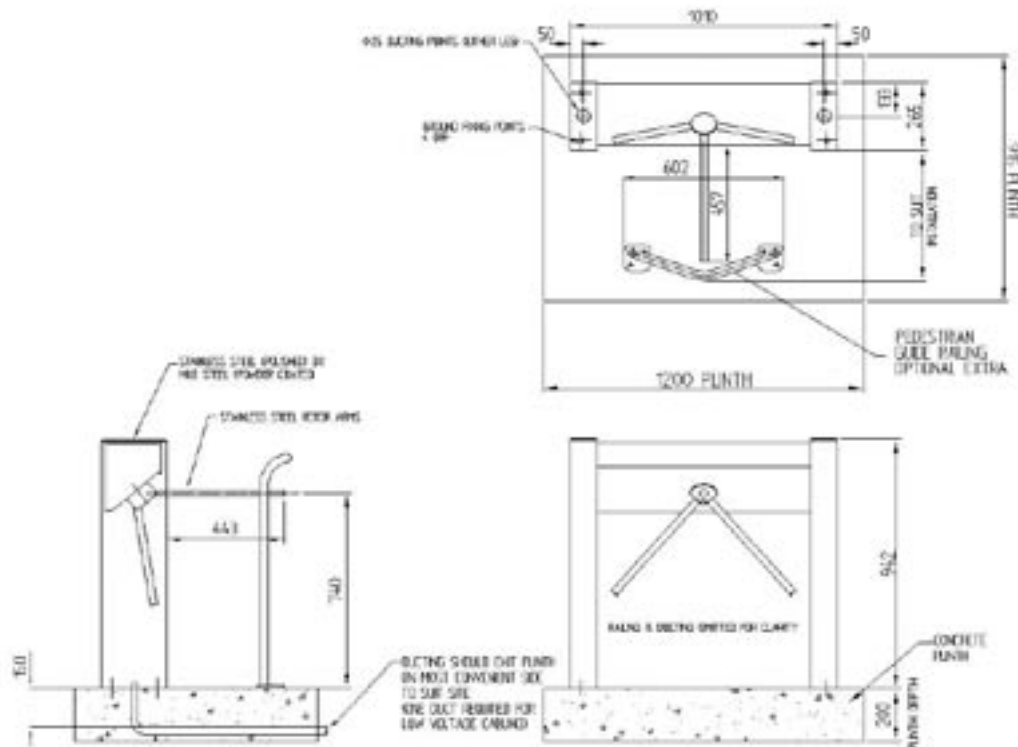
Tripod turnstiles require voltage free contacts from the electronic access control equipment. All our turnstiles are compatible with a wide range of electronic recognition systems including card readers, token acceptors and remote switching from manned control points such as reception desks. Where it is necessary to record the number of visitors, the turnstiles can be linked into counting systems to provide local display and remote information for fire safety requirements.

Infill rails, pedestrian gates, etc, are also available to order.

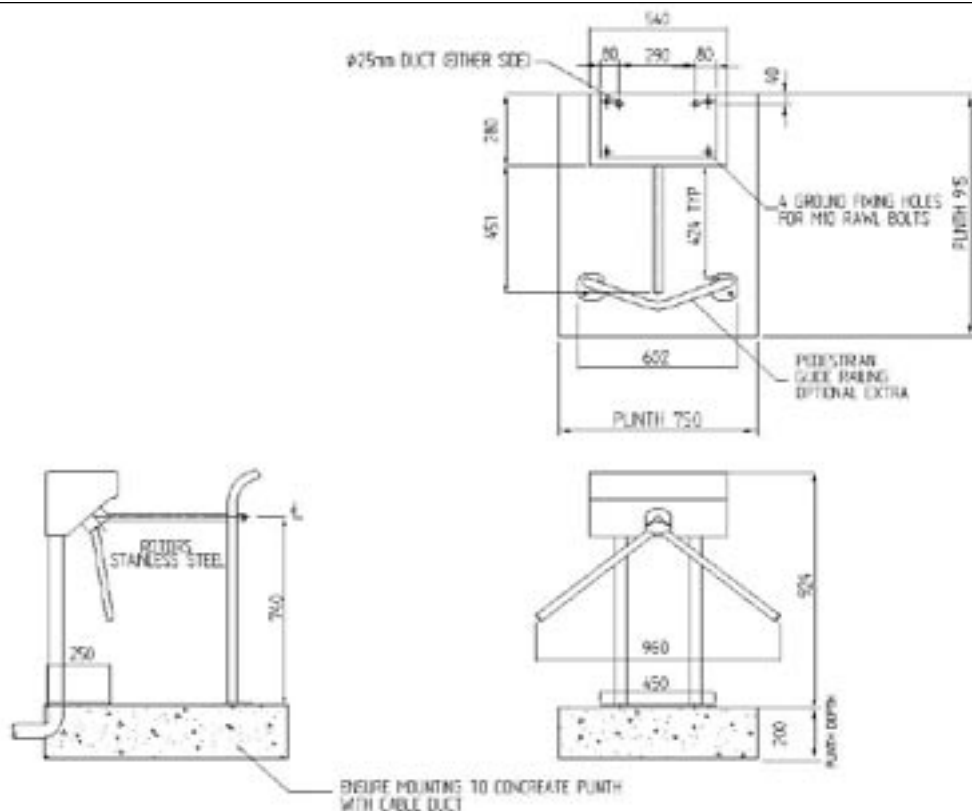


Type 420A

TRIPOD TURNSTILES - DIMENSIONAL DETAILS



Type 424



Type 420A

Designed and Manufactured by
CLARKE INSTRUMENTS LIMITED
 Distloc House, Old Sarum Airfield,
 The Portway, Salisbury, Wiltshire. SP4 6DZ.
 TEL: 01722 323451 FAX: 01722 335154
 Web: www.clarke-inst.com
 E-mail: sales@clarke-inst.com

Supplied by:



C.I.L. products comply with EMC
 Directives of EEC
 Certificate Number FM12702
 BS EN ISO9001:2000

INSTALLATION SERVICE AVAILABLE