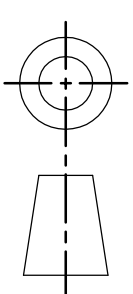


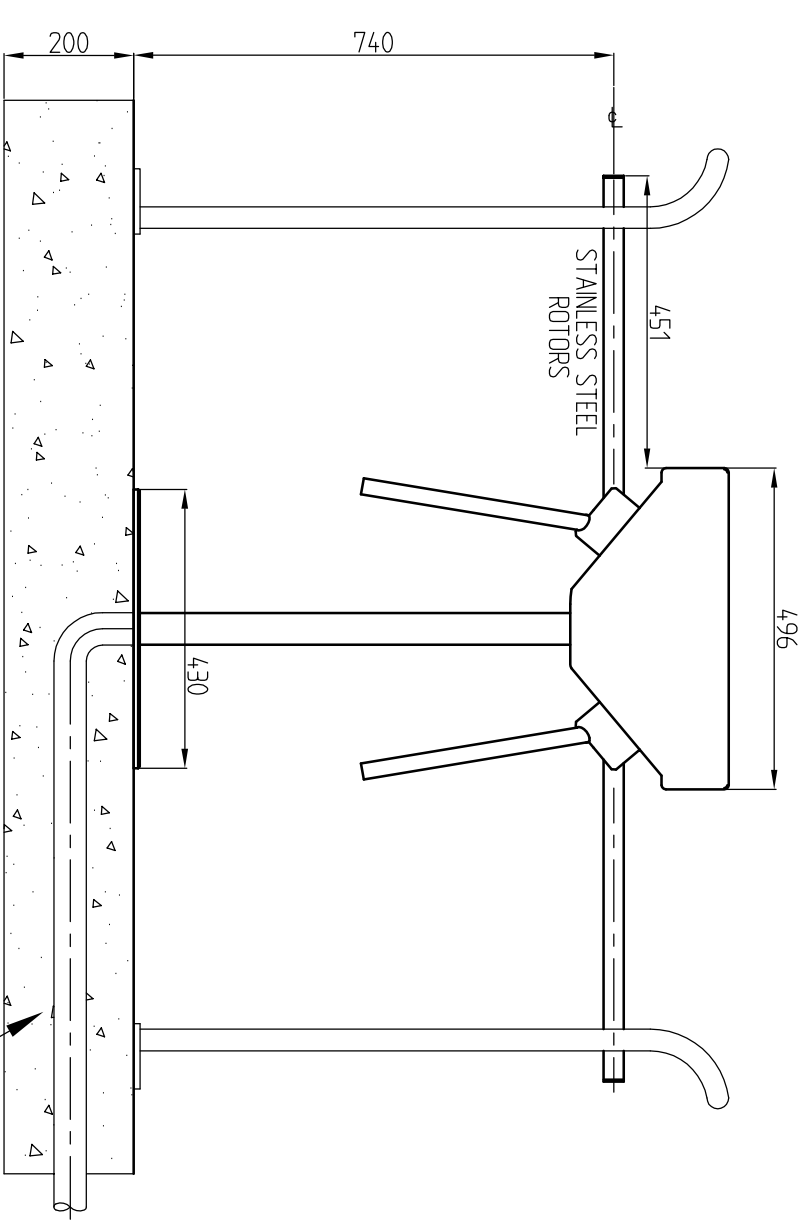
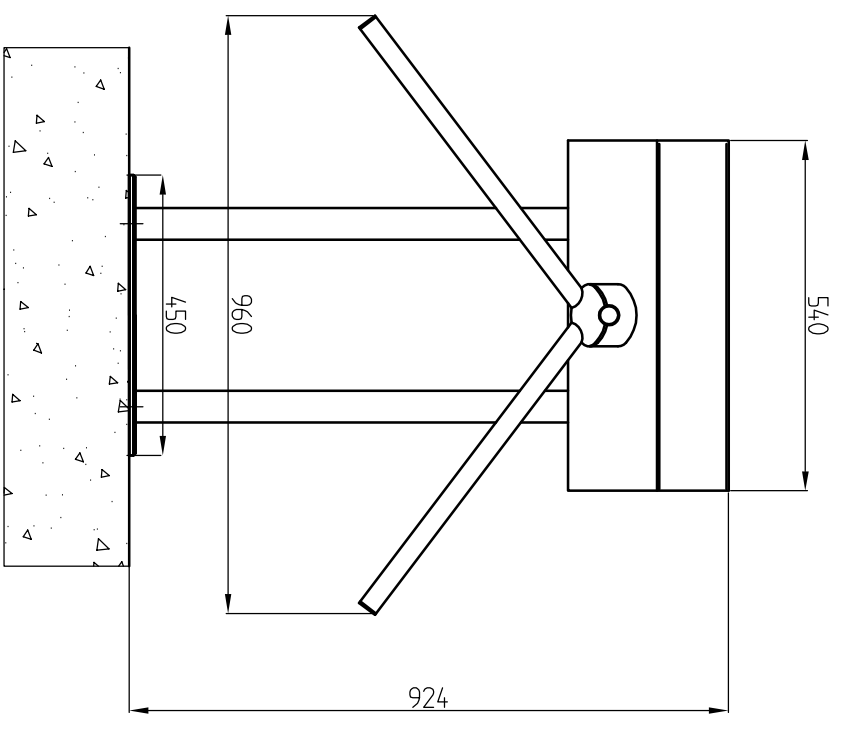
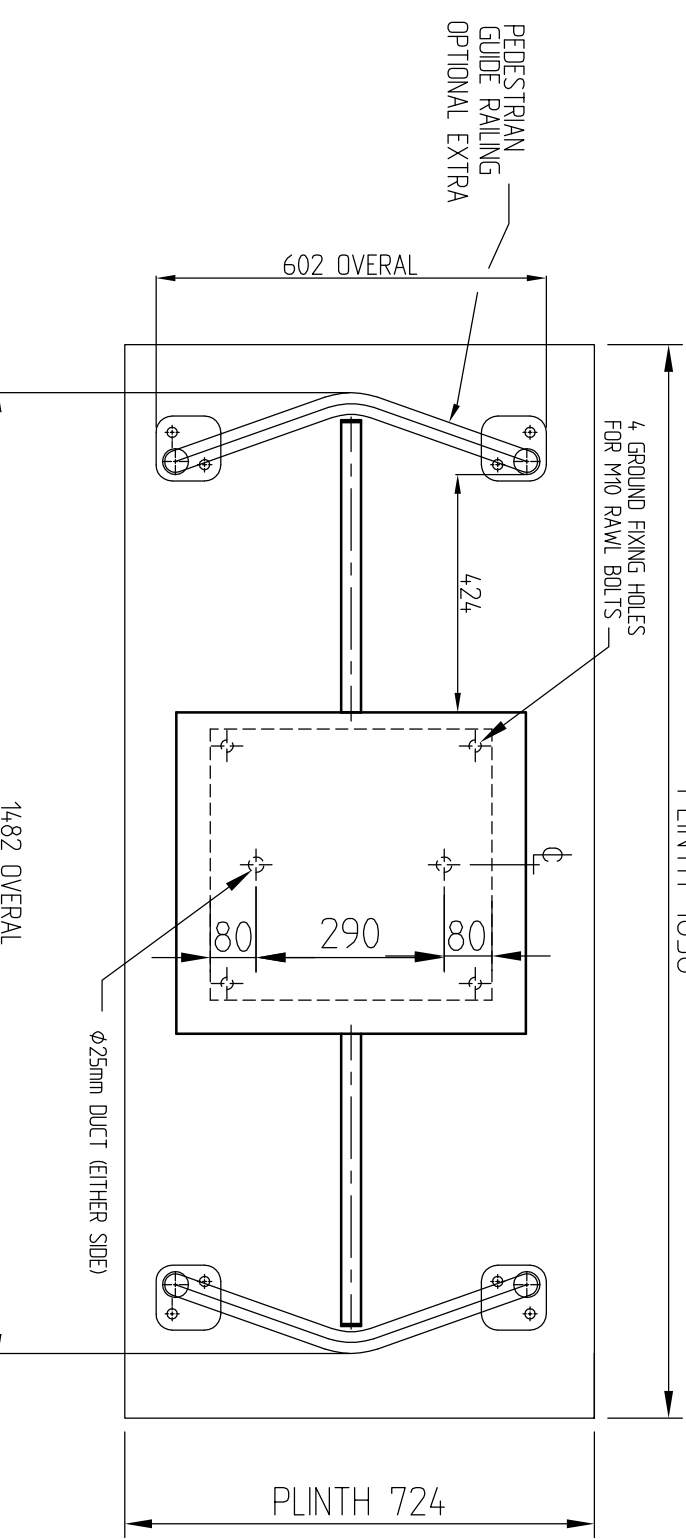
DRG.No. 425A-202

USED ON

DRAWN TO B.S. 8888
PLINTH 1656



THIRD ANGLE PROJECTION



ENSURE MOUNTING TO CONCRETE PLINTH WITH CABLE DUCT

PROTECTIVE FINISH

TOLERANCES FOR DIMENSIONS

DIMS. SHOWN THUS >449 ± 1
 DIMS. SHOWN THUS 1 ± 0.4
 DIMS. SHOWN THUS 10 ± 0.15
 DIMS. SHOWN THUS 100 ± 0.05
 UNLESS OTHERWISE STATED
 ALL DIMENSIONS IN MILLIMETRES

MATERIAL

STORES REF.

TITLE

Clarke Instruments Ltd.

DRG.No.

A3

425A DOUBLE TRIPPOD
TURNSTILE WITH GUIDE RAIL

425A-202

| | | | | | | |
|-------|----------|--------------------------------|---------|--------|-------|--------|
| ISSUE | DATE | CHANGE NOTE | CHECKED | CERTD. | SCALE | N.T.S. |
| B | 10.05.04 | GUIDE RAIL MADE OPTIONAL EXTRA | | | | |
| A | 03.01.03 | - | | | | |
| DRAWN | MKEADY | | | | | |