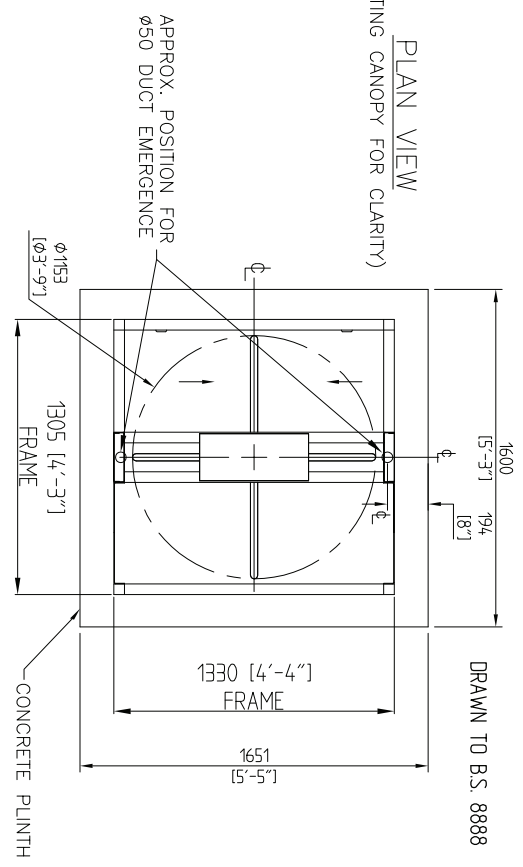


DRG.No.	430-200
USED ON	-

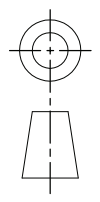
CLARKE INSTRUMENTS LIMITED  
RESERVE THE RIGHT TO MODIFY  
THE DESIGN WITHOUT NOTICE

**DESIGN RIGHTS**  
INTELLECTUAL PROPERTY OF CLARKE INSTRUMENTS LIMITED  
COPYRIGHT © NOT TO BE COPIED WITHOUT PERMISSION  
WARNING - SOME OIL PRODUCTS ARE ALSO THE  
SUBJECT OF PATENT PROTECTION

PLAN VIEW  
(OMITTING CANOPY FOR CLARITY)



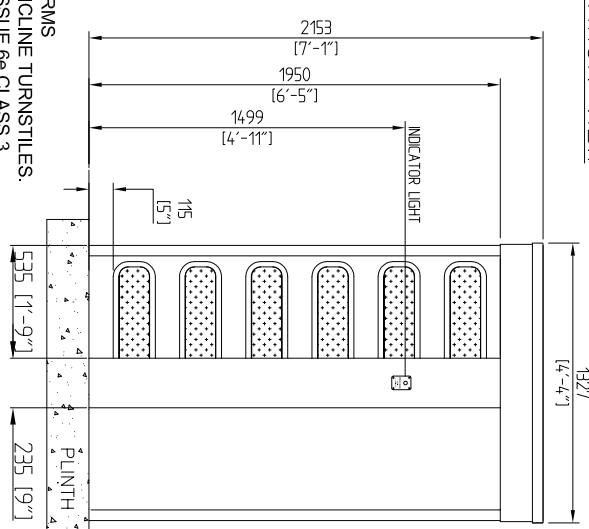
DRAWN TO BS 8888



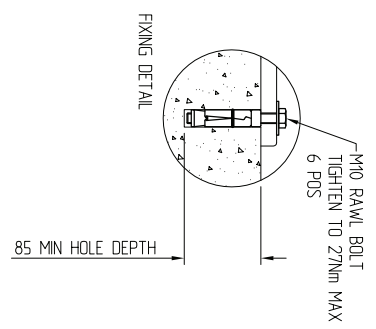
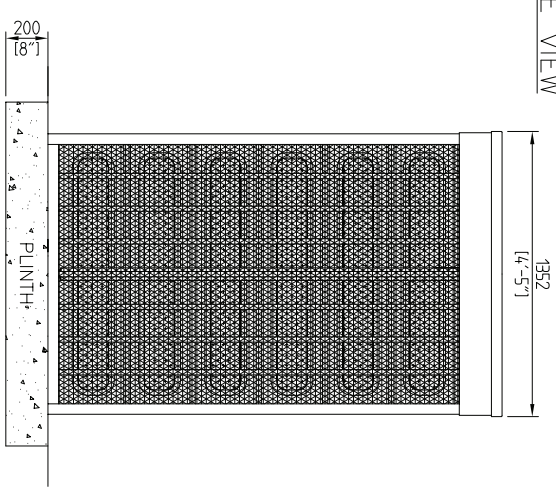
THIRD ANGLE PROJECTION

NOTE :-  
NORMALLY THE POWER SUPPLY UNIT AND CONTROL BOARD  
ENCLOSURE ARE CONTAINED WITHIN THE CANOPY.  
CABLES TO THIS AREA (MAINS SWA AND SIGNAL CABLES)  
ARE DUCTED THROUGH VERTICAL SECTIONS OF THE TURNSTILE.

ELEVATION VIEW



SIDE VIEW



NOTE:  
THIS DESIGN LAYOUT HAS 115mm TIGHT GAPS BETWEEN ROTOR ARMS  
AND IS BASED ON THE HOSB REQUIREMENTS FOR SECURITY FENCINE TURNSTILES.  
THESE REQUIREMENTS WERE TESTED AND PASSED TO LPS 1175:ISSUE 06, CLASS 3

SELECTED HIDDEN DETAIL  
OMITTED FOR CLARITY

ISSUE	DATE	CHANGE NOTE	CHECKED	CERTD.	SCALE	NTS
A	26/108	INITIAL ISSUE				
B	01/12/08	ROTOR SPACING UPDATED TO KEEP GAPS TO A MINIMUM				
C	25/03/09	NORM DEFINITION UPDATED				
DRAWN	MKEADY	CHECKED				

PROTECTIVE FINISH	
TOLERANCES FOR DIMENSIONS	
DIMS. SHOWN THIS	±0.4
DIMS. SHOWN THIS	±0.4
DIMS. SHOWN THIS	±0.15
DIMS. SHOWN THIS	±0.05
UNLESS OTHERWISE STATED	
ALL DIMENSIONS IN MILLIMETRES	

MATERIAL	
STORES REF.	BASED ON 0022H-2
TITLE	
'430S/H'	SINGLE HOOPED 90deg TURNSTILE

Clarke Instruments Ltd.	DRG.No.	430-200
		A3