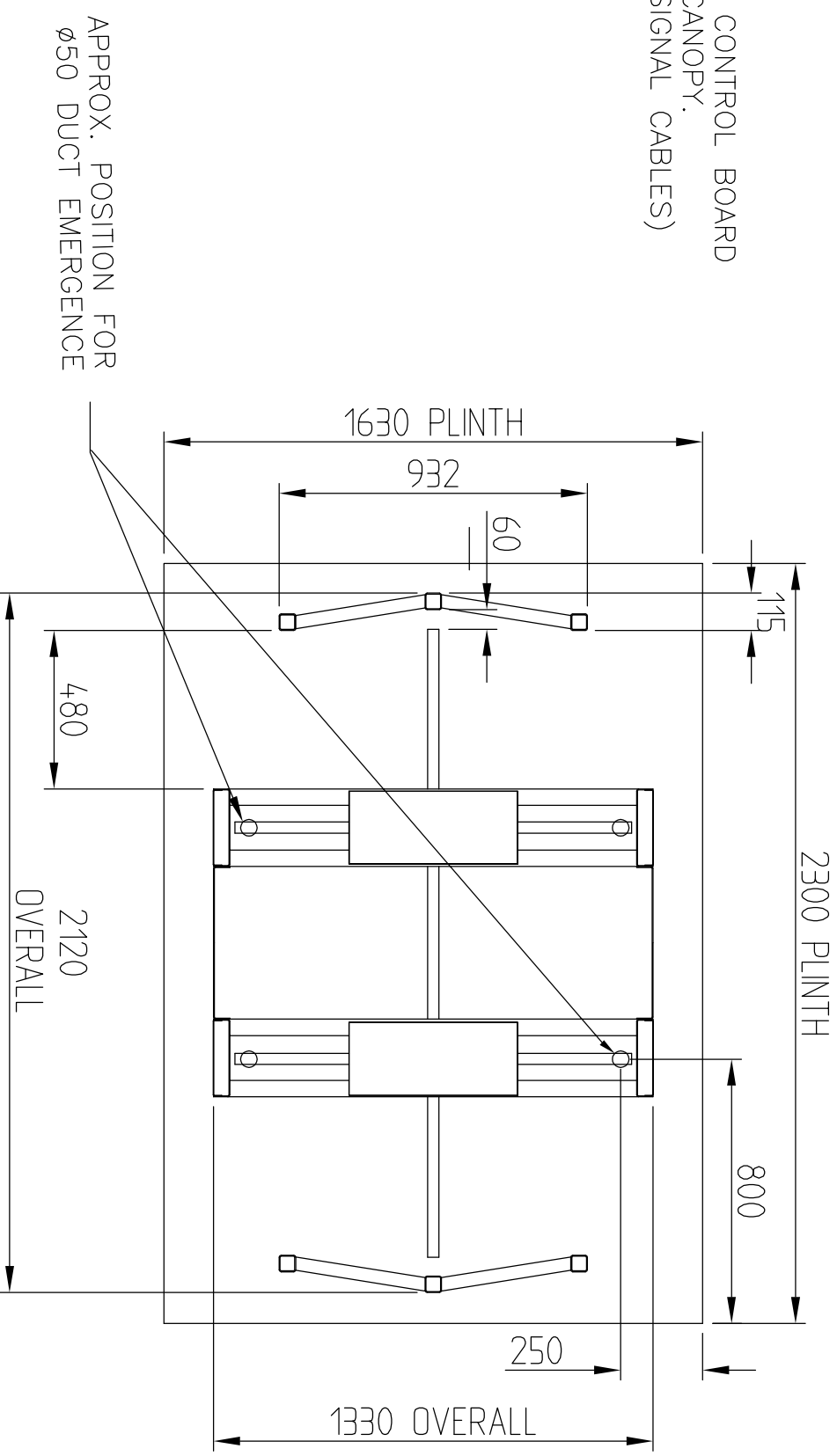
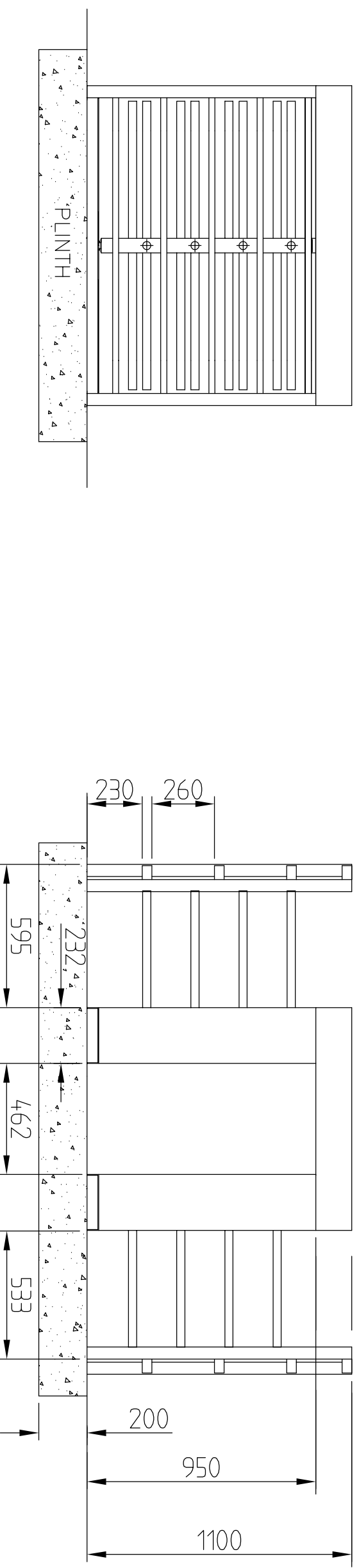


NOTE :-
NORMALLY THE POWER SUPPLY UNIT AND CONTROL BOARD ENCLOSURE ARE CONTAINED WITHIN THE CANOPY.
CABLES TO THIS AREA (MAINS SWA AND SIGNAL CABLES)



APPROX. POSITION FOR
Ø50 DUCT EMERGENCE

FRONT ELEVATION



MATERIAL: -

FINISH: -

CLARKE INSTRUMENTS Ltd

ALL DIMENSIONS ARE IN mm.

SALES ILLUSTRATION OF

DRG No:

461-201

DO NOT SCALE

HALF HEIGHT DOUBLE ELECTRICAL T/STILE
CLOCKWISE OR ANTI-CLOCKWISE ROTATION

ISS	DATE	CHANGE NOTE No.
A	14.11.02	-
DRAWN	SJU	