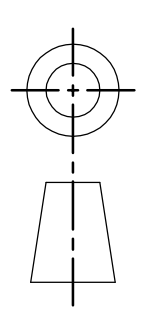


DRG.No.	474B-202
USED ON	
TYPE	474B

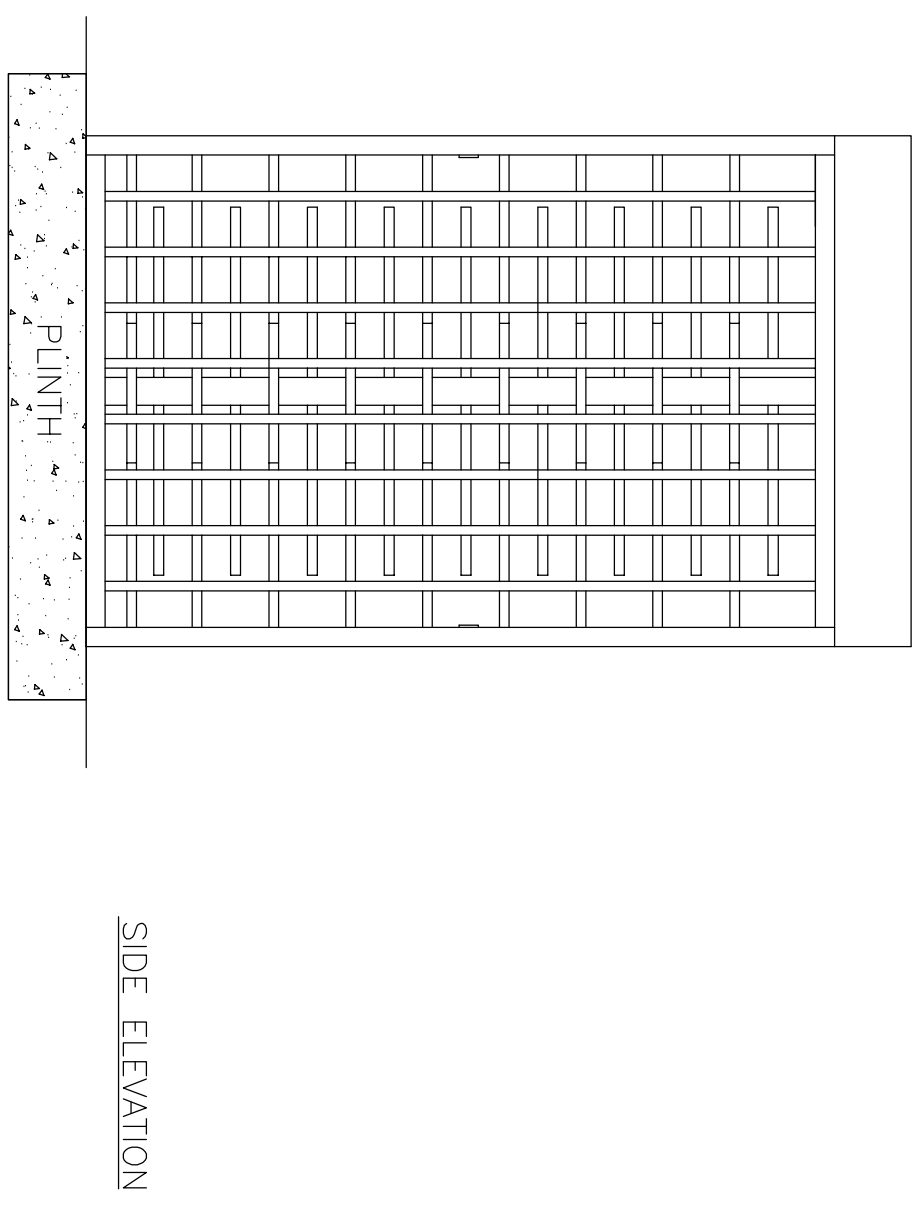
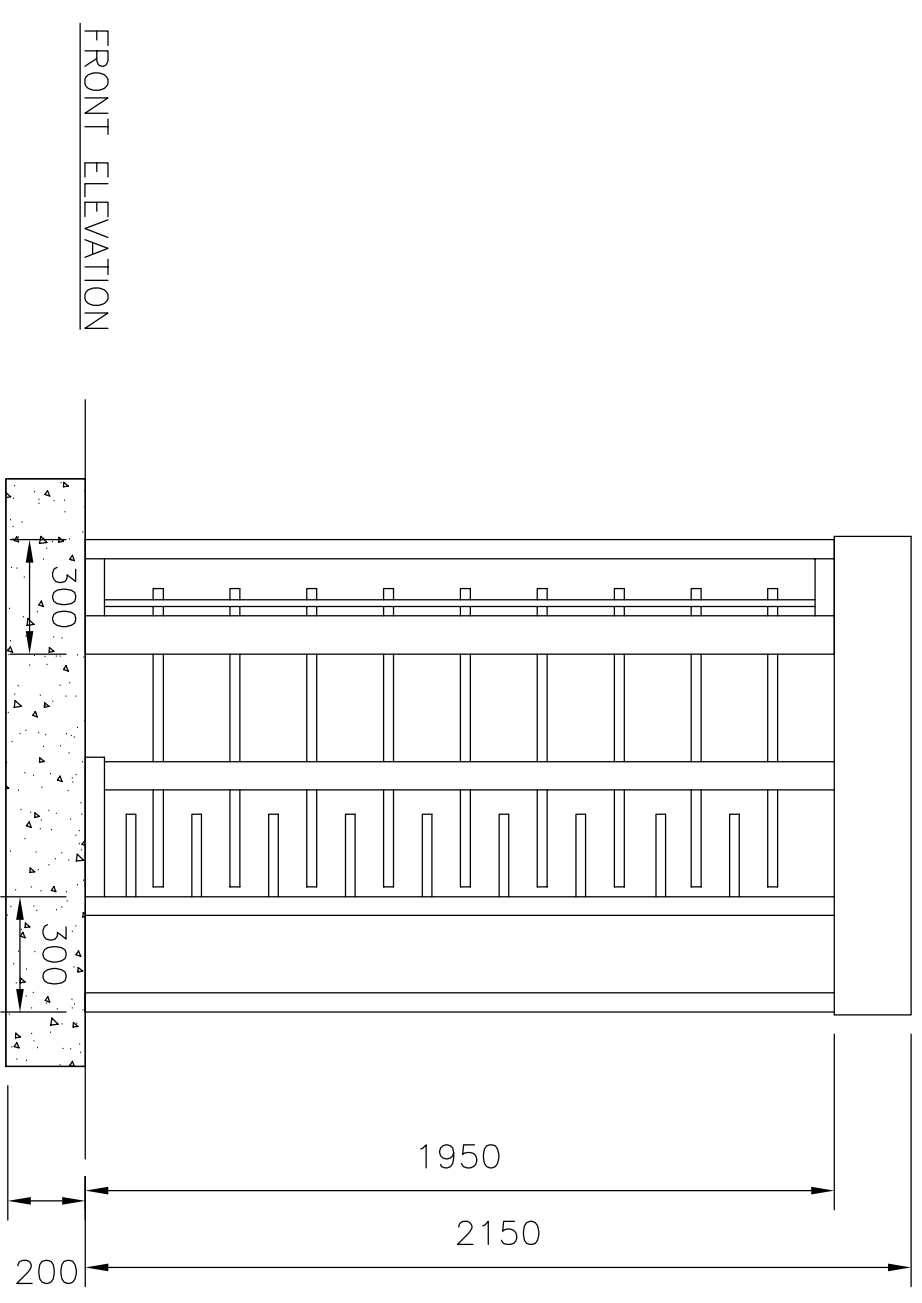
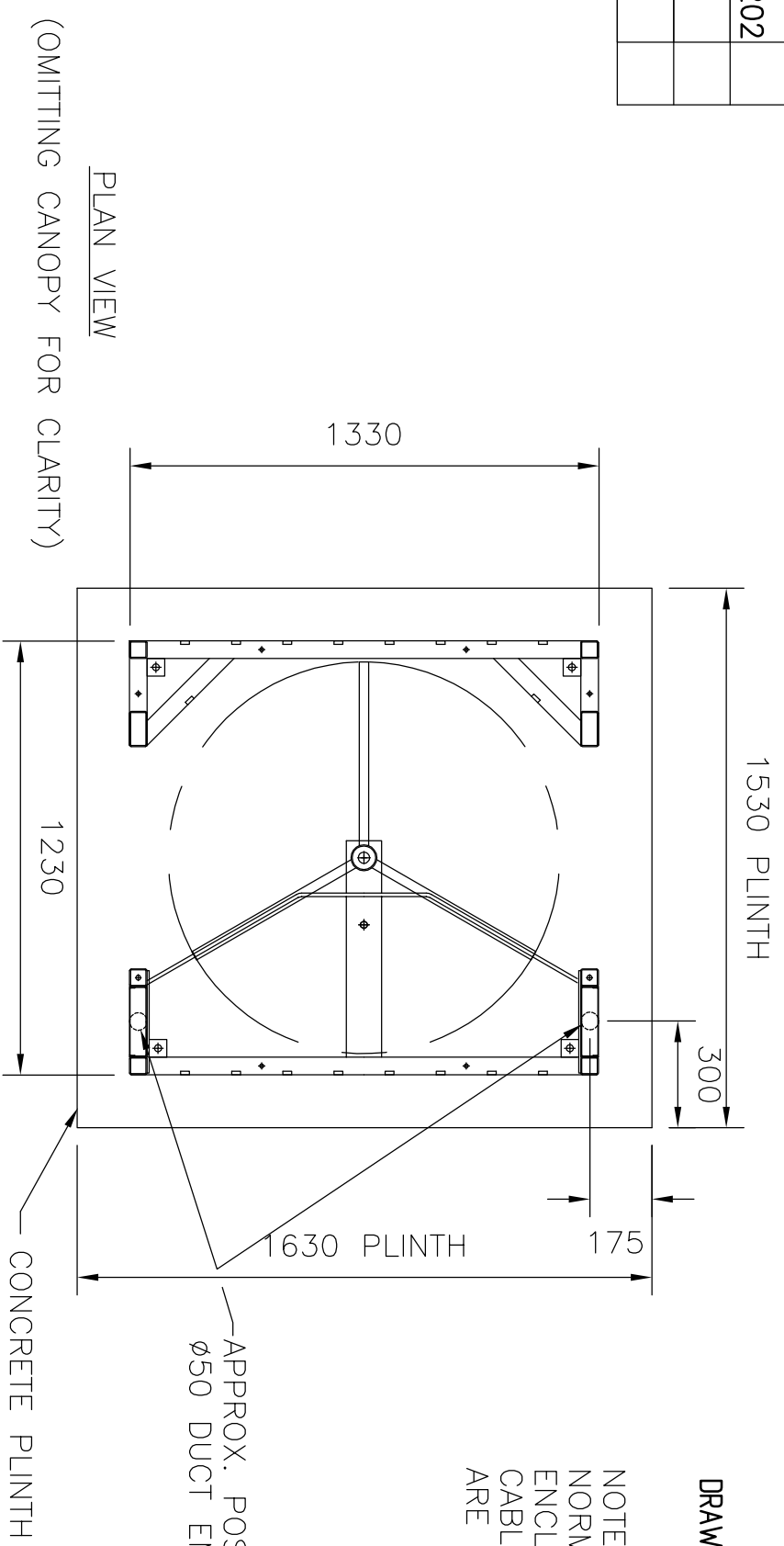
DRAWN TO B.S. 308



THIRD ANGLE PROJECTION

NOTE :-
 NORMALLY THE POWER SUPPLY UNIT AND CONTROL BOARD ENCLOSURE ARE CONTAINED WITHIN THE CANOPY. CABLES TO THIS AREA (MAINS SWA AND SIGNAL CABLES) ARE DUCTED THROUGH VERTICAL SECTIONS OF THE TURNSTILE.

CLARKE INSTRUMENTS LIMITED
 RESERVE THE RIGHT TO MODIFY
 THE DESIGN WITHOUT NOTICE



ISSUE	B	DATE	6-2-98	CHANGE NOTE	-	ISSUE		DATE		CHANGE NOTE	
DRAWN	CJV	CHECKED		CERTD.		SCALE	1:20				

PROTECTIVE FINISH	-
TOLERANCES FOR DIMENSIONS	
DIMS. SHOWN THUS	1 ±0.4
DIMS. SHOWN THUS	10 ±0.15
DIMS. SHOWN THUS	100 ±0.05
UNLESS OTHERWISE STATED	
ALL DIMENSIONS IN MILLIMETRES	

MATERIAL	-
STORES REF.	

Clarke Instruments Ltd.
 SALES ILLUSTRATION OF
 'SALISBURY' SINGLE TURNSTILE
 (120° WITH STRAIGHT BARS)

DRG.No. 474B-202
 A3