

DRG.No. 474B-203

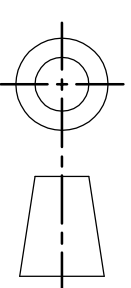
USED ON

TYPE 474B

2300 PLINTH

2000

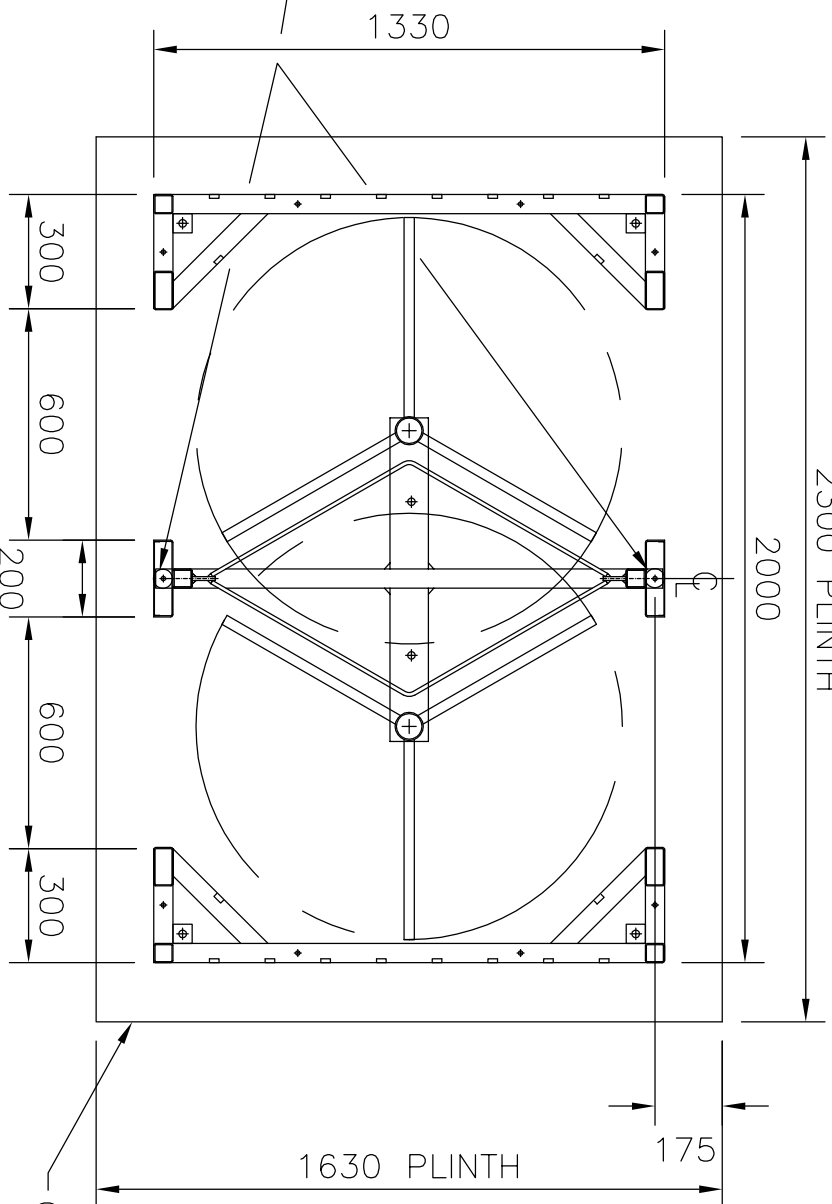
DRAWN TO B.S. 308



THIRD ANGLE PROJECTION

NOTE :-
NORMALLY THE POWER SUPPLY UNIT AND CONTROL BOARD ENCLOSURE ARE CONTAINED WITHIN THE CANOPY. CABLES TO THIS AREA (MAINS SWA AND SIGNAL CABLES) ARE DUCTED THROUGH VERTICAL SECTIONS OF THE TURNSTILE.

APPROX. POSITION FOR
Ø50 DUCT EMERGENCE



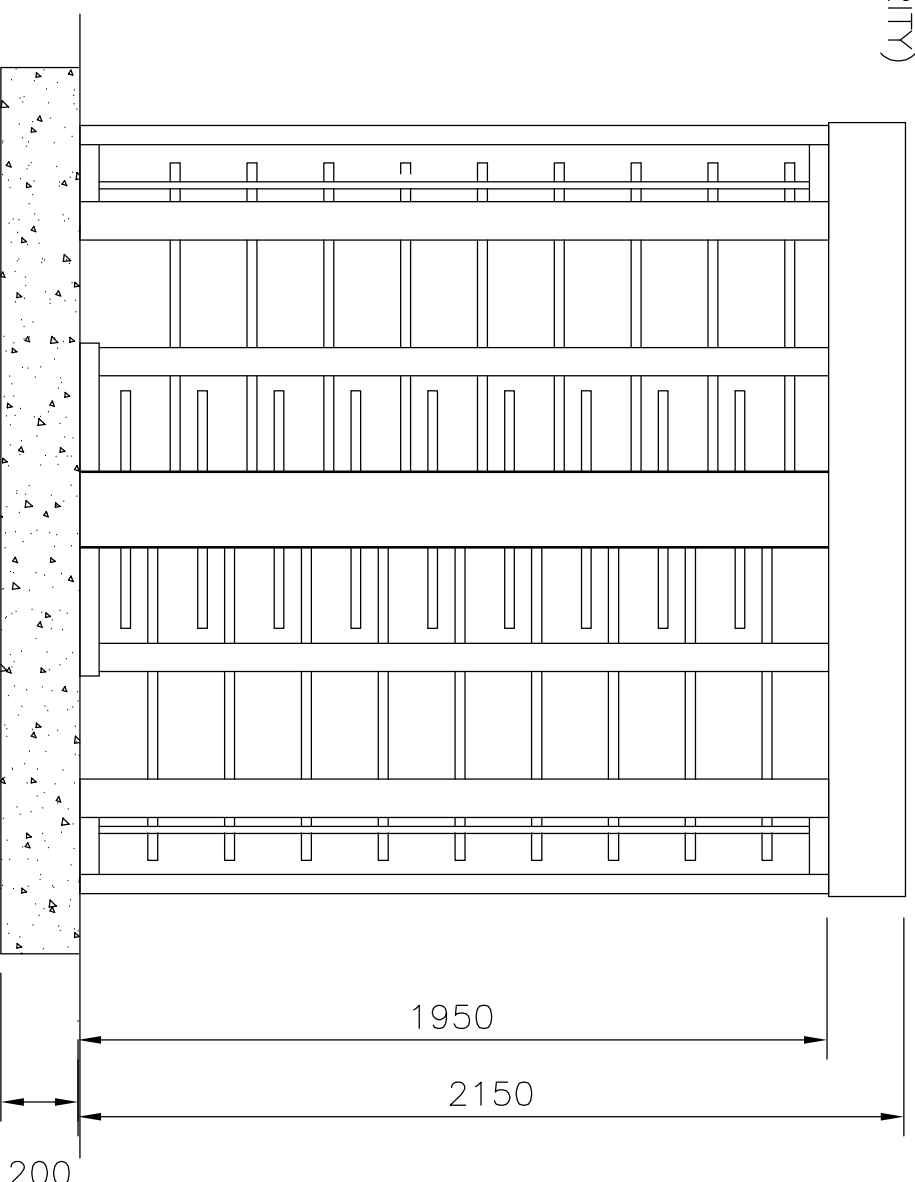
CONCRETE PLINTH

CLARKE INSTRUMENTS LIMITED
RESERVE THE RIGHT TO MODIFY
THE DESIGN WITHOUT NOTICE

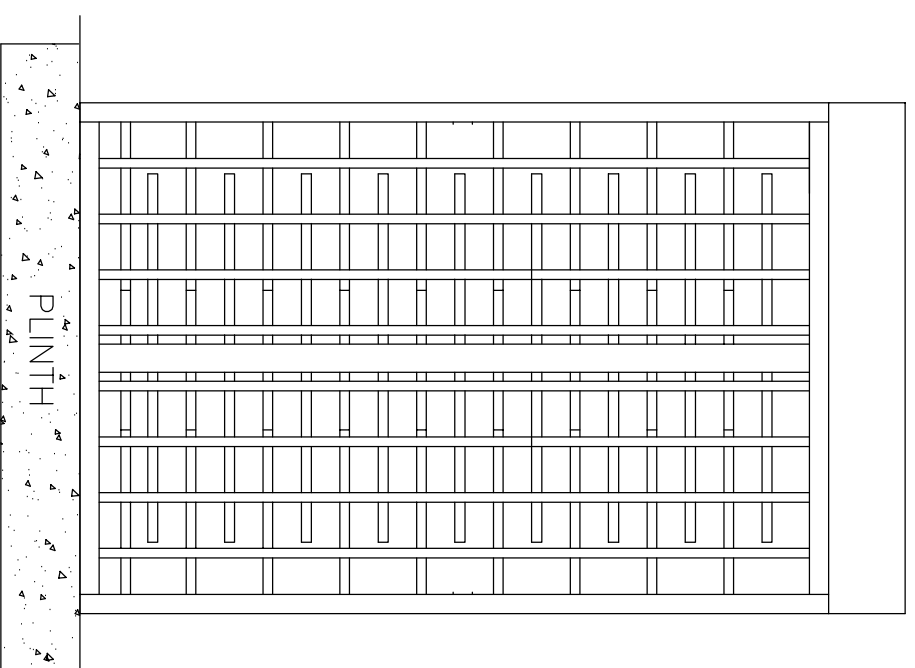
(OMITTING CANOPY FOR CLARITY)

PLAN VIEW

FRONT ELEVATION



SIDE ELEVATION



PROTECTIVE FINISH

TOLERANCES FOR DIMENSIONS

DIMS. SHOWN THUS 1 ±0.4
DIMS. SHOWN THUS 10 ±0.15
DIMS. SHOWN THUS 100 ±0.05
UNLESS OTHERWISE STATED

MATERIAL

STORES REF.

TITLE

SALES ILLUSTRATION OF
'SALISBURY' DOUBLE TURNSTILE
(120° WITH STRAIGHT BARS)

Clarke Instruments Ltd.

DRG.No.

474B-203

A3

ISSUE	DATE	CHANGE NOTE	ISSUE	DATE	CHANGE NOTE
B	6-2-98	-			
DRAWN	CJV	CHECKED	CERTD.	SCALE	1:20

ISSUE	DATE	CHANGE NOTE	ISSUE	DATE	CHANGE NOTE

ALL DIMENSIONS IN MILLIMETRES

SALES ILLUSTRATION OF 'SALISBURY' DOUBLE TURNSTILE (120° WITH STRAIGHT BARS)
--

Clarke Instruments Ltd.
DRG.No. 474B-203
A3