

DRG.No. 480A-204

USED ON

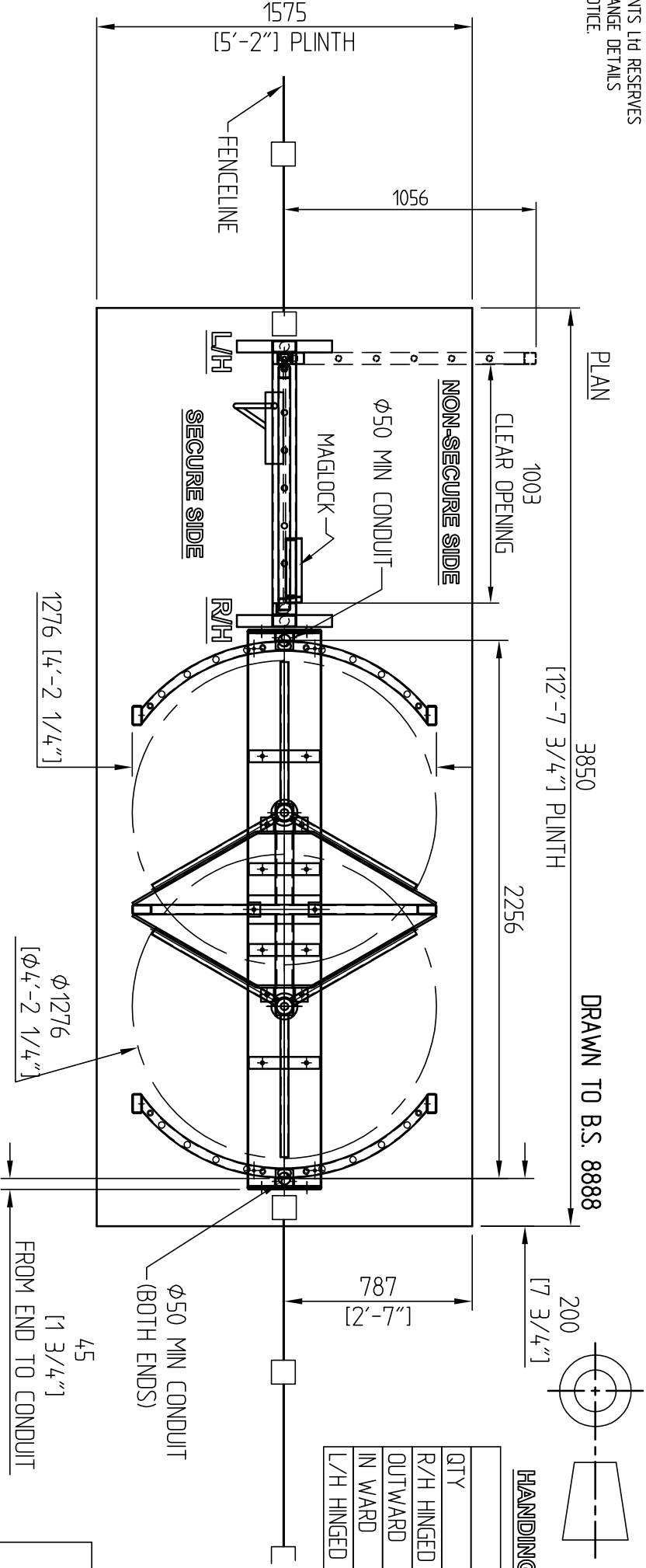
CLARKE INSTRUMENTS LTD RESERVES THE RIGHT TO CHANGE DETAILS WITHOUT PRIOR NOTICE.

DRAWN TO B.S. 8888

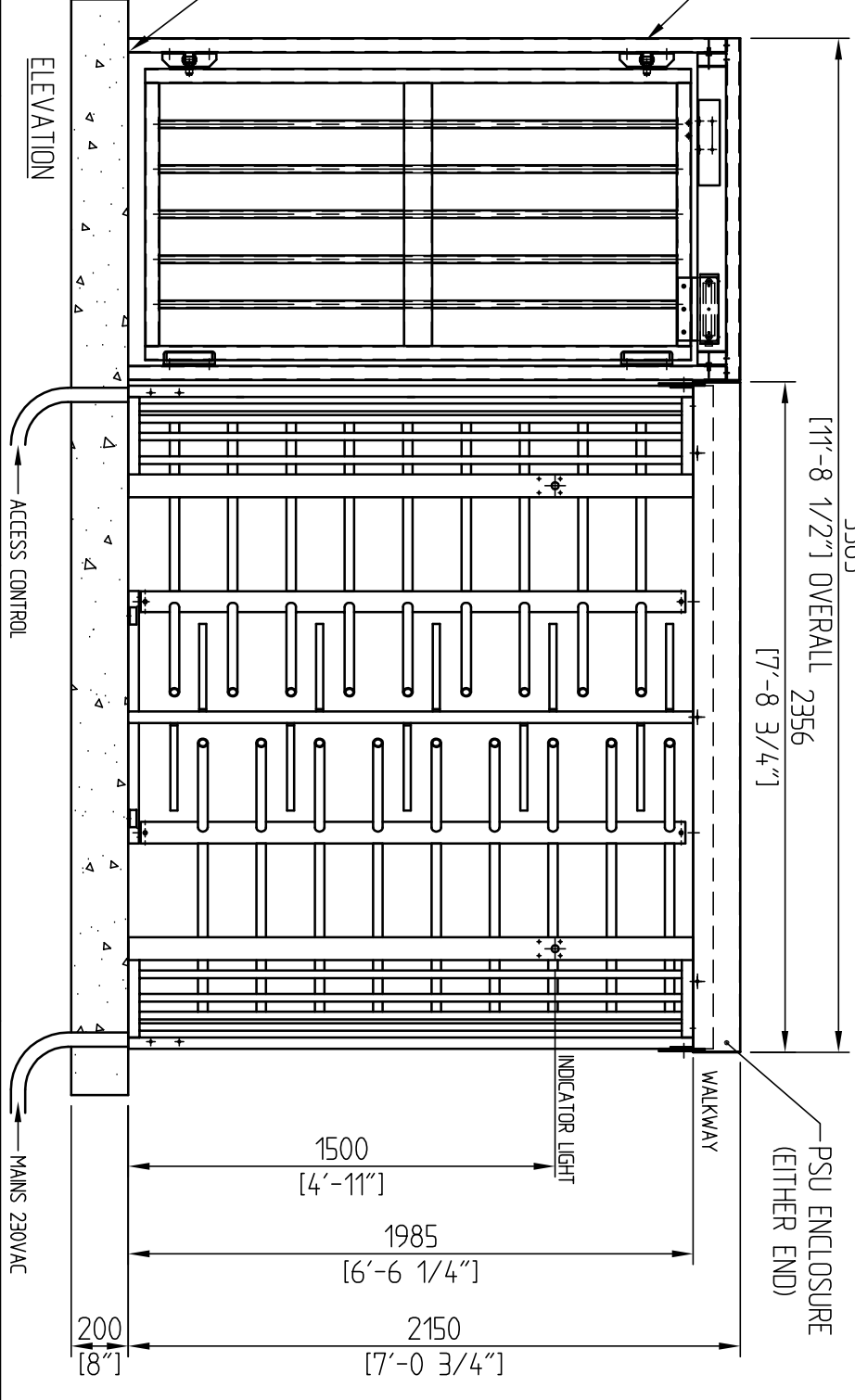
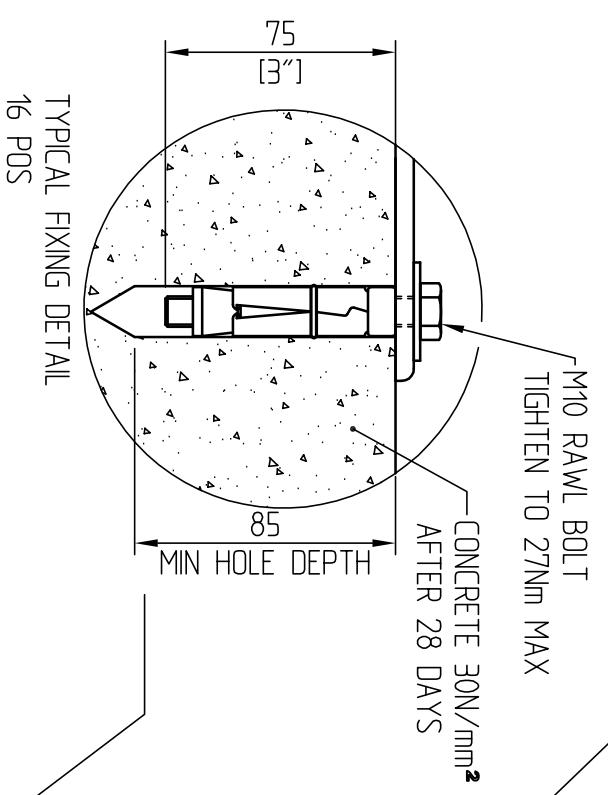
THIRD ANGLE PROJECTION

HANDING CONFIGURATION FOR GATE

QTY	AS DRAWN
R/H HINGED OUTWARD	✓
L/H HINGED IN WARD	✓



188A TYPE TURNSTILE SUPPORTED PEDESTRIAN GATE



PROTECTIVE FINISH

MATERIAL

STORES REF.

DRG.No.

480A-204

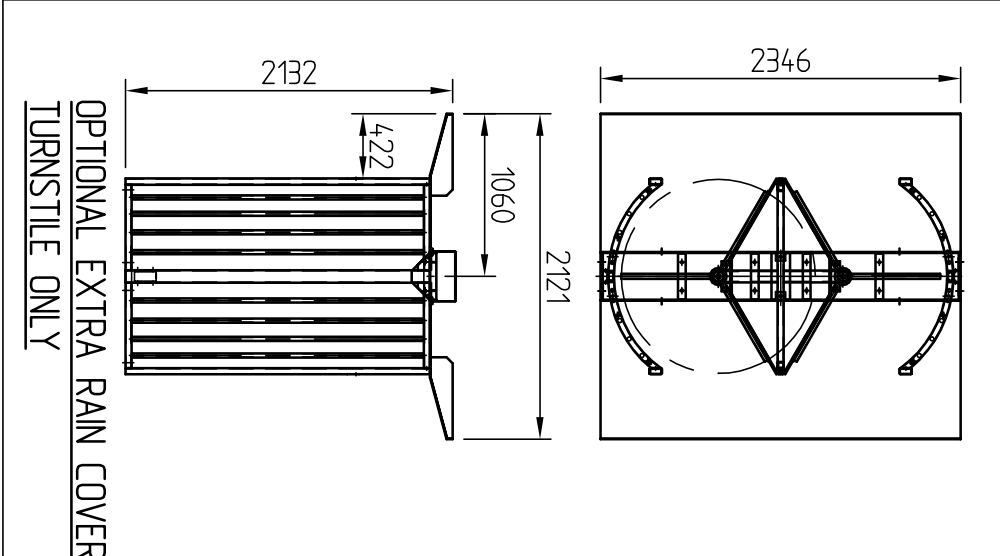
NOTE:
TURNSTILE SUPPLY VOLTAGE 230VAC 5AMP
(MAINS SUPPLY CONNECTION TO BE
TERMINATED IN THE 'DC PSU' LOCATED IN THE TOP OF THE TURNSTILE
ALLOW 35M OF CABLE ABOVE GROUND)

ISSUE	DATE	CHANGE NOTE
A	07/11/06	
B	01-05-09	TITLE CHANGED
C	02-10-09	GATE CHANGED TO 188A-200
D	06-01-10	RAIN SHIELD OPTION ADDED

TOLERANCES FOR DIMENSIONS
DIMS. SHOWN THUS >449 ±1
DIMS. SHOWN THUS 1 ±0.4
DIMS. SHOWN THUS 10 ±0.15
DIMS. SHOWN THUS 100 ±0.05
UNLESS OTHERWISE STATED
ALL DIMENSIONS IN MILLIMETRES

TITLE
FENCELINE ECONOMY DOUBLE TURNSTILE
120° STRAIGHT BAR ROTOR
WITH PEDESTRIAN GATE

Clarke Instruments Ltd.
A3



DRAWN BY: CERTD. SCALE: N.T.S.