

DRG.No. 480A-213

USED ON

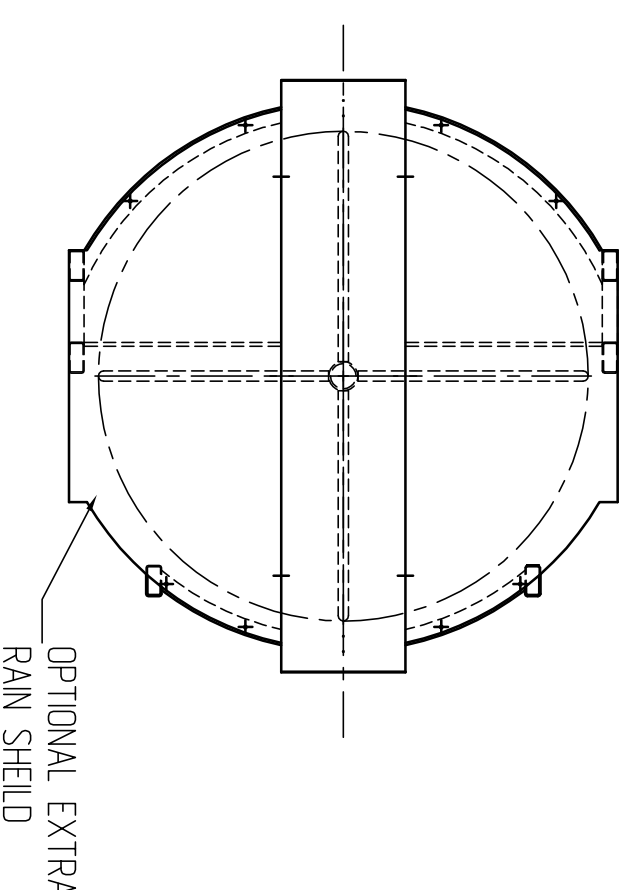
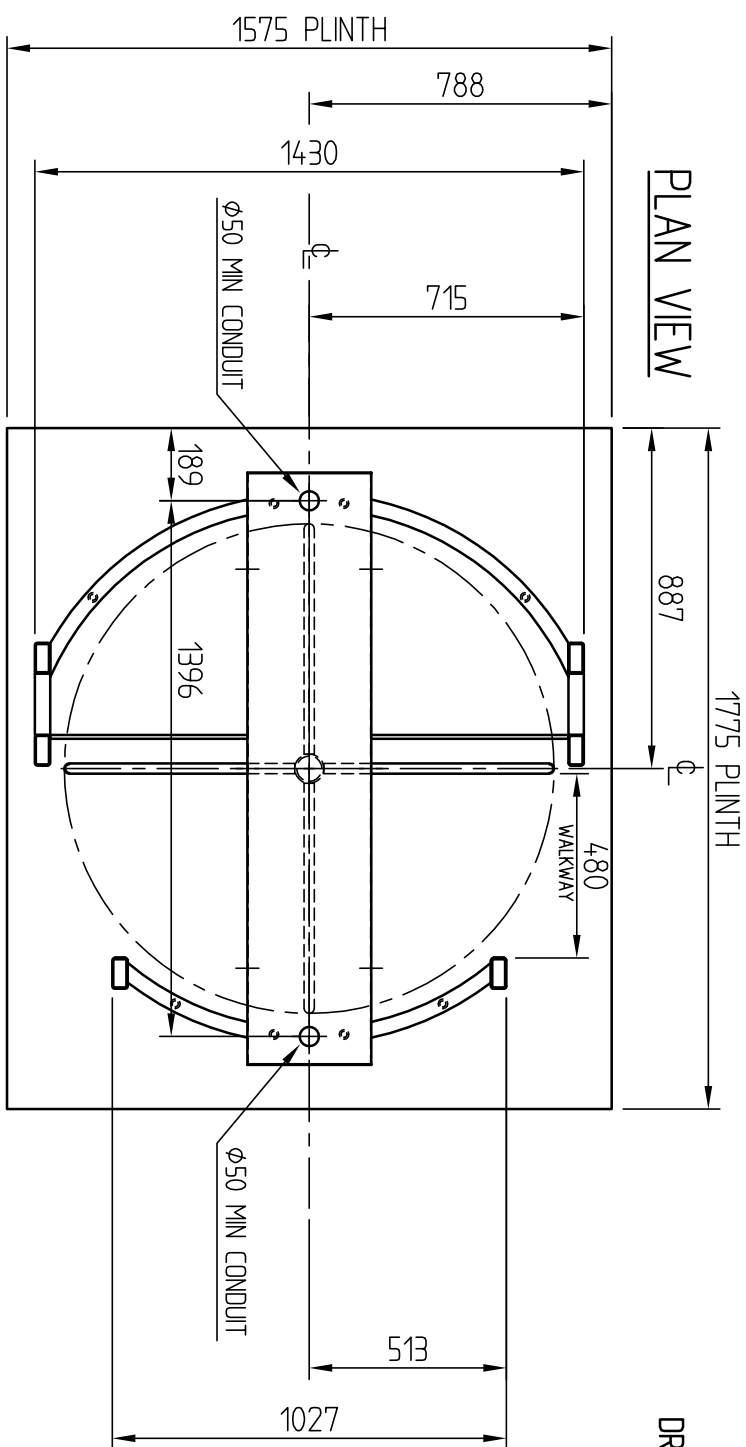
PLAN VIEW

7775 PLINTH

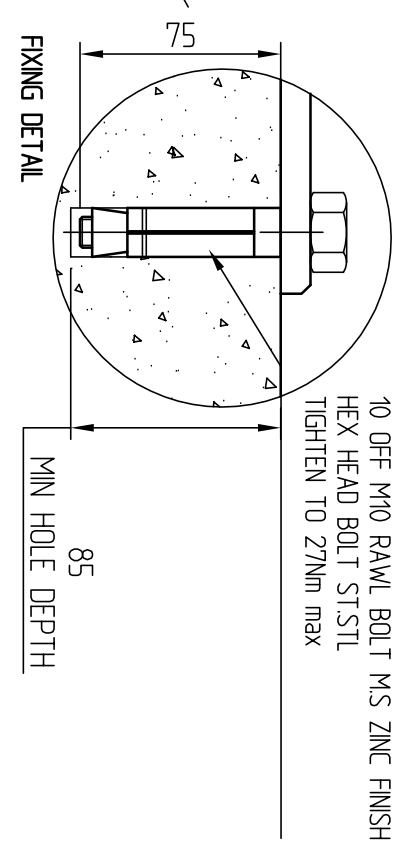
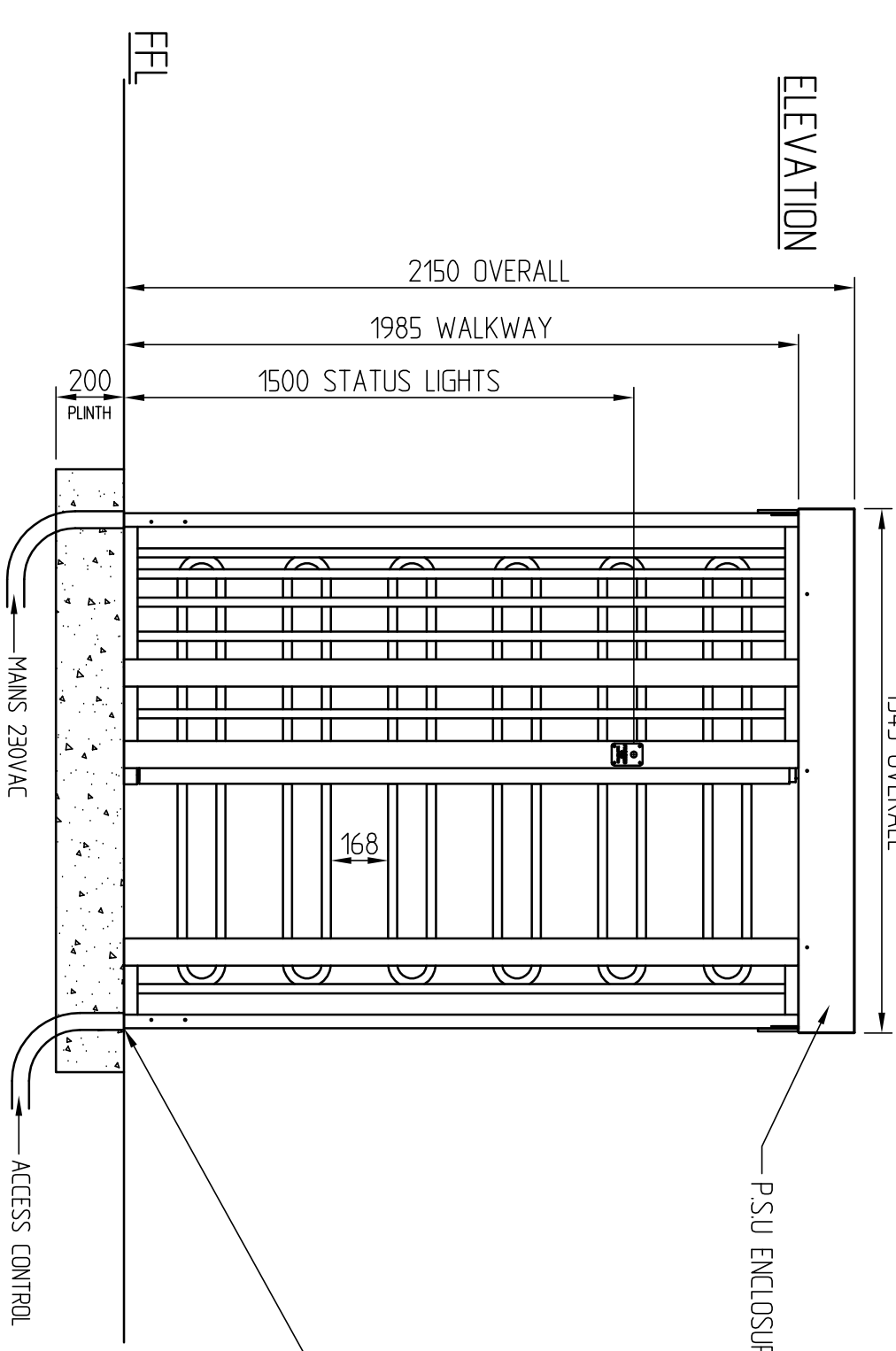
DRAWN TO B.S. 8888

THIRD ANGLE PROJECTION

CLARKE INSTRUMENTS LTD RESERVES THE RIGHT TO CHANGE DETAILS WITHOUT PRIOR NOTICE.



ELEVATION



NOTE:
 TURNSTILE SUPPLY VOLTAGE 230VAC 5AMP
 (MANS SUPPLY CONNECTION TO BE TERMINATED IN THE 'DC PSU' LOCATED IN THE TOP OF THE TURNSTILE ALLOW 35M OF CABLE ABOVE GROUND)

ISSUE	DATE	CHANGE NOTE	CHECKED	CERTD.	SCALE	NTS
A	19-11-10	-				
DRAWN	JHARRIS					

PROTECTIVE FINISH
 PRE-GALVANISED AND POWDER COATED

TOLERANCES FOR DIMENSIONS
 DIMS. SHOWN THUS >449 ±1
 DIMS. SHOWN THUS 1 ±0.4
 DIMS. SHOWN THUS 10 ±0.15
 DIMS. SHOWN THUS 100 ±0.05
 UNLESS OTHERWISE STATED
 ALL DIMENSIONS IN MILLIMETRES

MATERIAL	STORES REF.	TITLE
-	-	90 DEG FENCELINE TURNSTILE WITH WALKWAY HOOPED BAR, AND OPTIONAL RAIN SHIELDS

Clarke Instruments Ltd.

DRG.No. 480A-213

A3