

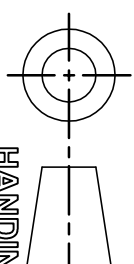
DRG.No. 480B-201

USED ON

(180)

3000 [9'-10 1/4"]
PLINTH

DRAWN TO B.S. 8888

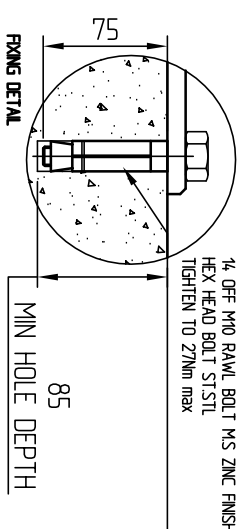
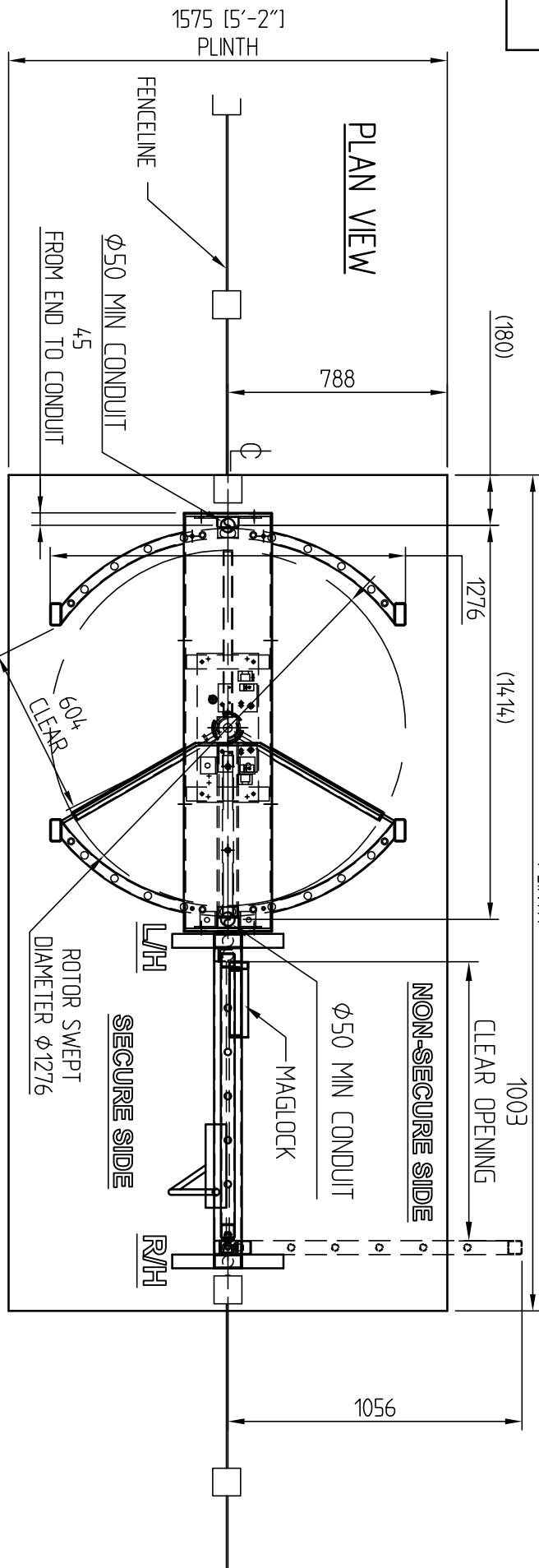


THIRD ANGLE PROJECTION

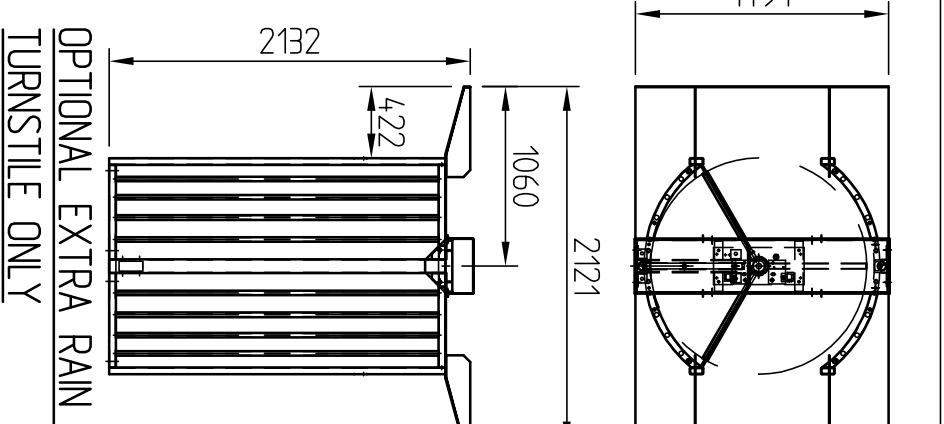
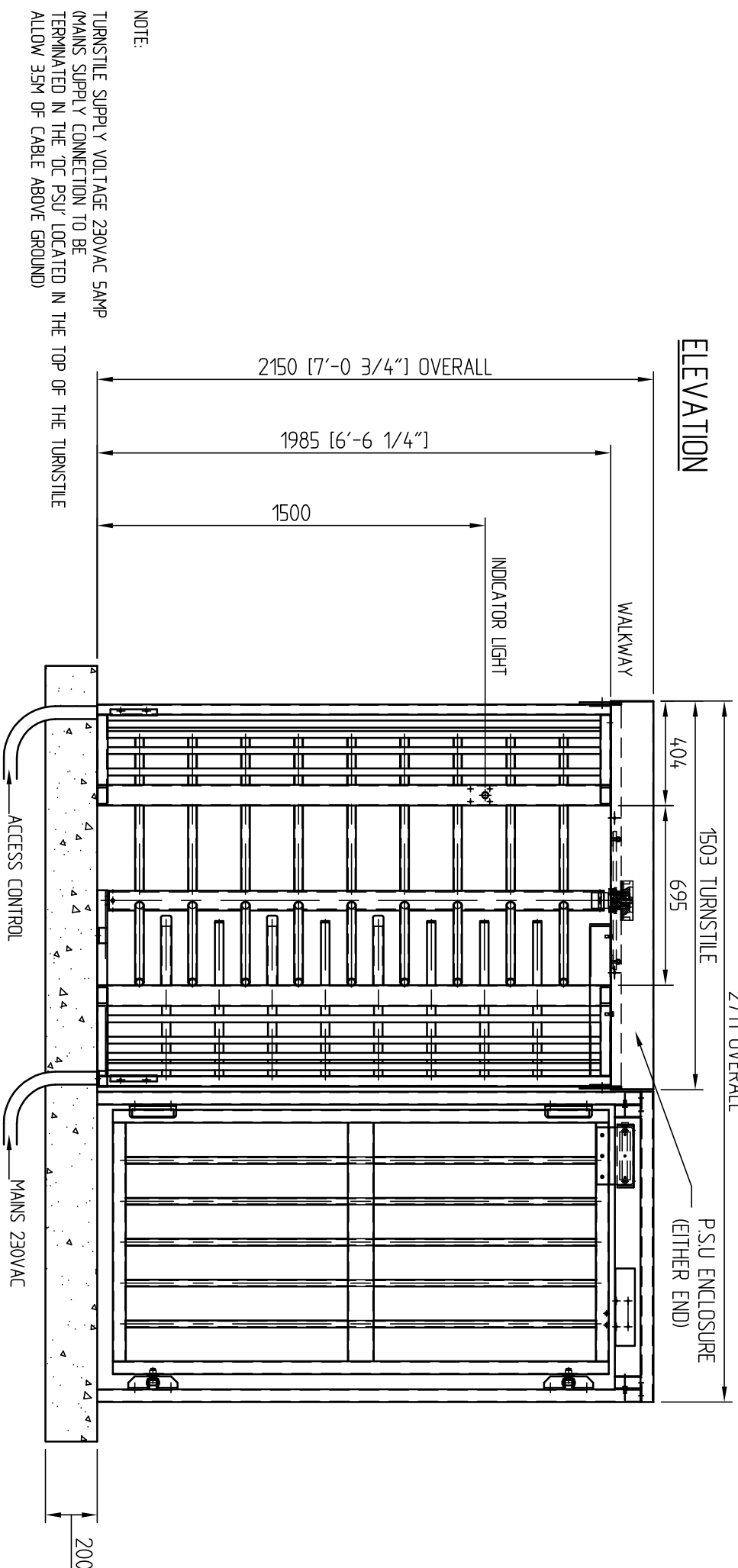
HANDING CONFIGURATION FOR GATE

QTY	AS DRAWN
R/H HINGED OUTWARD	✓
I/N WARD	✓
L/H HINGED	

CLARKE INSTRUMENTS LTD RESERVES THE RIGHT TO CHANGE DETAILS WITHOUT PRIOR NOTICE.



ELEVATION



NOTE:

TURNSTILE SUPPLY VOLTAGE 230VAC 5AMP
(MAINS SUPPLY CONNECTION TO BE TERMINATED IN THE 'DC PSU' LOCATED IN THE TOP OF THE TURNSTILE ALLOW 35M OF CABLE ABOVE GROUND)

PROTECTIVE FINISH

GALVANISED or POWDER COATED

TOLERANCES FOR DIMENSIONS

DIMS. SHOWN THUS ± 4.9 ± 1

DIMS. SHOWN THUS 1 ± 0.4

DIMS. SHOWN THUS 10 ± 0.15

DIMS. SHOWN THUS 100 ± 0.05

UNLESS OTHERWISE STATED

ALL DIMENSIONS IN MILLIMETRES

MATERIAL

STORES REF. -

TITLE

480B TURNSTILE WITH WALKWAY GUIDE

STRAIGHT BAR, WITH 188A SWING GATE

Clarke Instruments Ltd.

DRG.No.

480B-201

A3

DRAWN

JHARRIS

CHECKED

CERTD.

SCALE

NTS

B 06-01-10 RAIN SHIELD OPTION ADDED

A 02-10-09 INITIAL ISSUE

ISSUE DATE CHANGE NOTE

DATE

CHECKED

SCALE

NTS