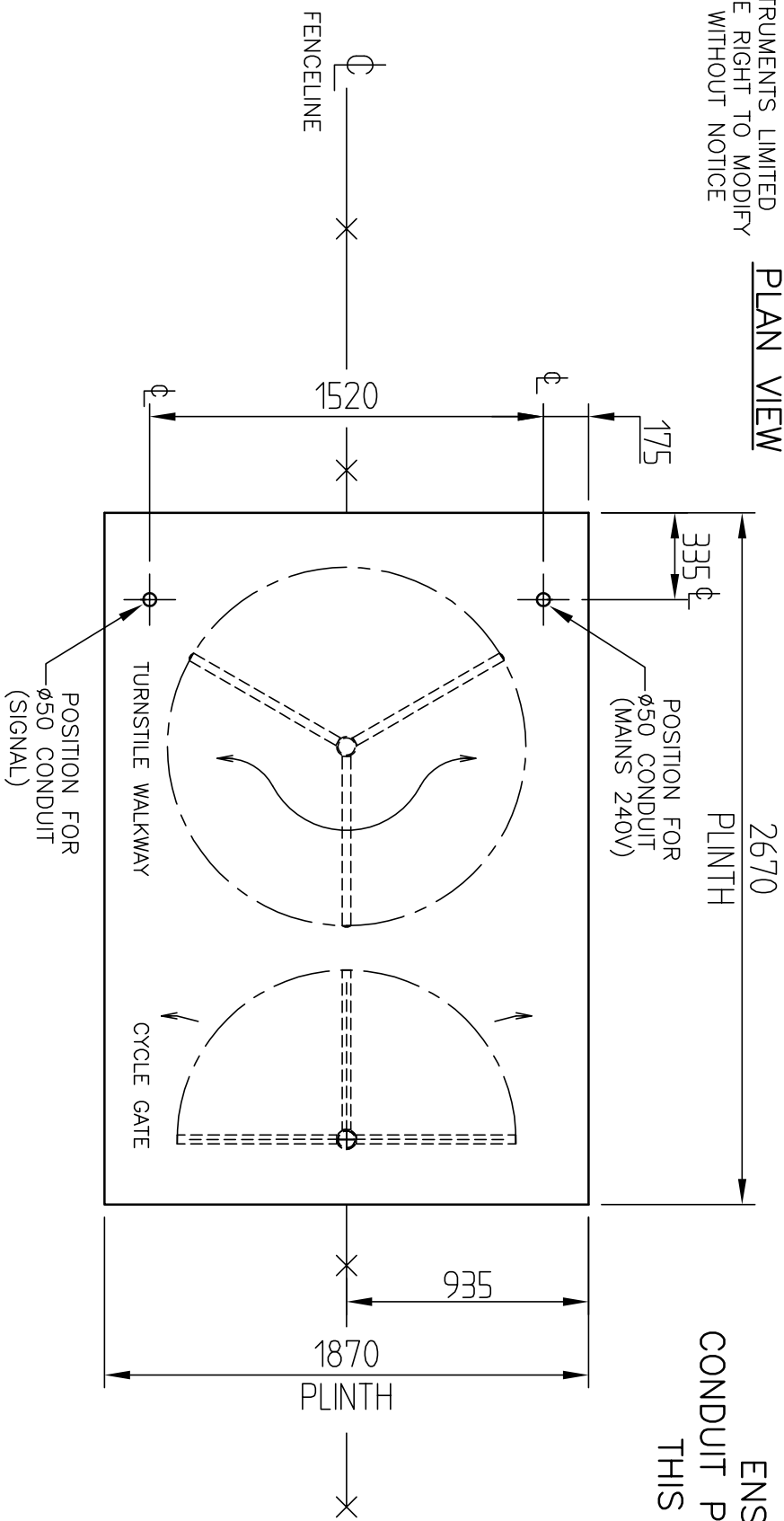


DRG.No. 481-300

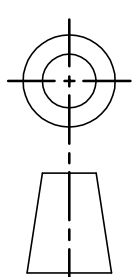
USED ON

CLARKE INSTRUMENTS LIMITED  
RESERVE THE RIGHT TO MODIFY  
THE DESIGN WITHOUT NOTICE

**PLAN VIEW**



DRAWN TO B.S. 8888

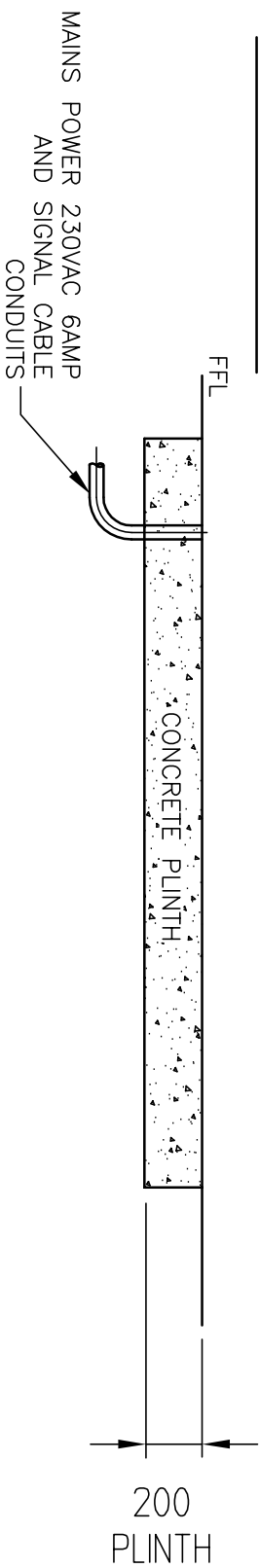


THIRD ANGLE PROJECTION

**TURNSTILE ORIENTATION**



**FRONT ELEVATION**



**PROTECTIVE FINISH**

TOLERANCES FOR DIMENSIONS

DIMS. SHOWN THUS >449 ±1

DIMS. SHOWN THUS 1 ±0.4

DIMS. SHOWN THUS 10 ±0.15

DIMS. SHOWN THUS 100 ±0.05

UNLESS OTHERWISE STATED

ALL DIMENSIONS IN MILLIMETRES

**MATERIAL**

STORES REF.

TITLE

COMBINED PEDESTRIAN AND CYCLE ENTRANCE

CIVIL DRAWING

Clarke Instruments Ltd.

DRG.No.

481-300

A3

ISSUE

A

30-10-09

INITIAL ISSUE

CHANGE NOTE

DATE

CHECKED

CERTD.

SCALE

N.T.S

DRAWN

JHARRIS