

DRG.No. 525-200

USED ON

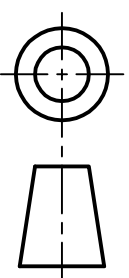
TYPE 525

NON STANDARD

SALES ILLUSTRATION

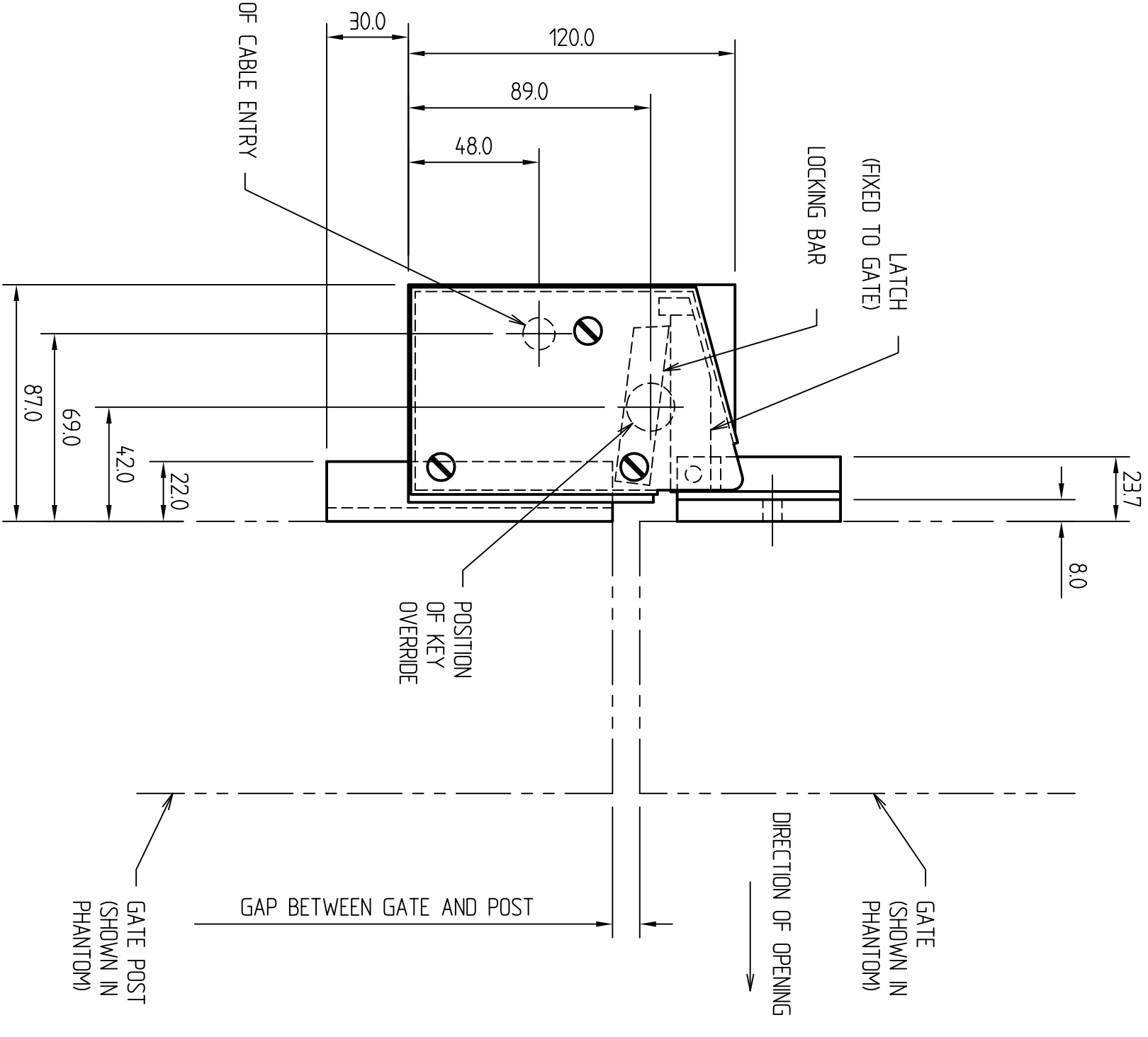
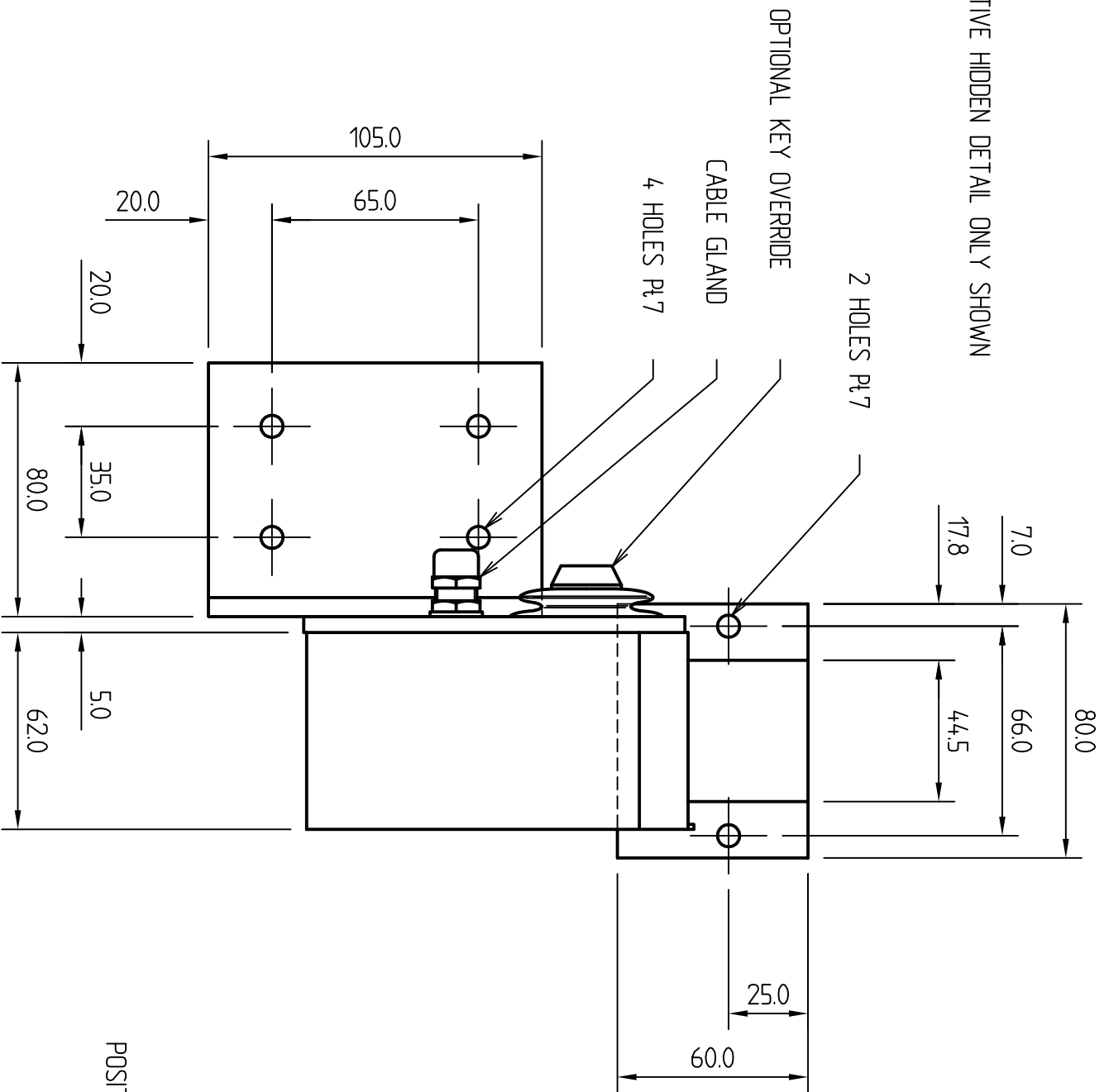
- DO NOT SCALE -

DRAWN TO B.S. 308



THIRD ANGLE PROJECTION

NOTE:
SELECTIVE HIDDEN DETAIL ONLY SHOWN



PROTECTIVE FINISH

MATERIAL

TOLERANCES FOR DIMENSIONS

STORES REF.

Clarke Instruments Ltd.

DIMS. SHOWN THUS 1 00.4

TITLE

DRG.No.

A3

DIMS. SHOWN THUS 10 00.15

DIMS. SHOWN THUS 100 00.05
UNLESS OTHERWISE STATED

L.H. OUTWARD OPENING

525-200

DRAWN A.R.T. CHECKED CERTD. SCALE 1:2

ALL DIMENSIONS IN MILLIMETRES