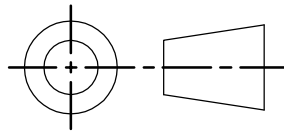


DRG. No. 525-204

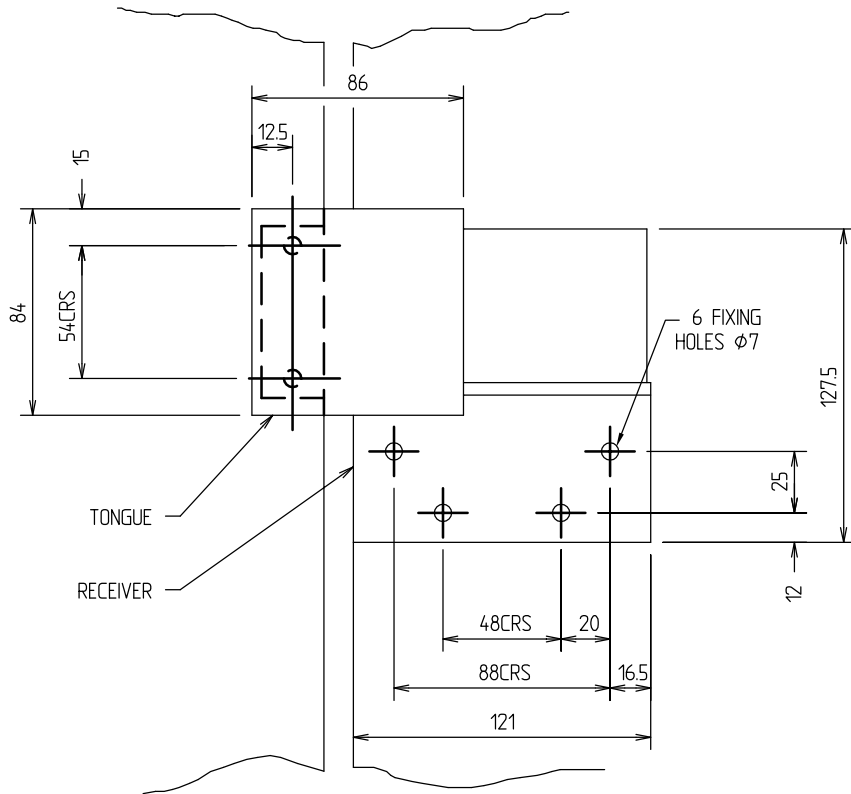
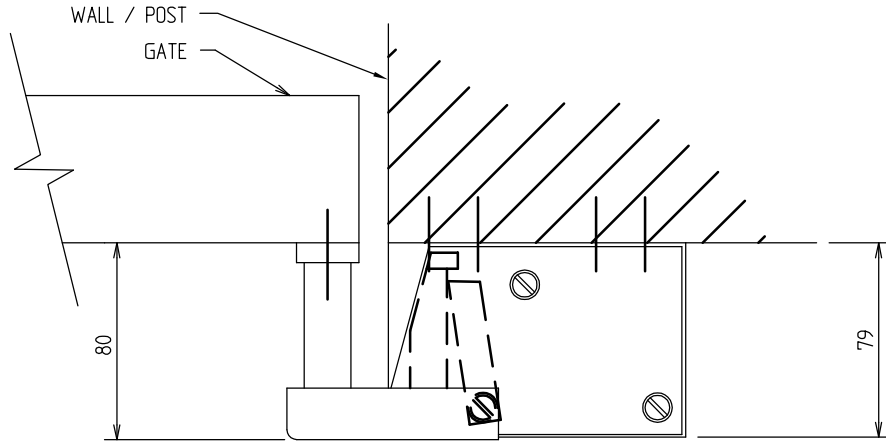
USED ON

DRAWN TO B.S. 8888



THIRD ANGLE PROJECTION

TYPE 525 GATE-LOCK - L.H. INWARD OPENING



						MATERIAL
						-
						STORES REF. -
						PROTECTIVE FINISH
						-
-	-	-				TOLERANCES FOR DIMENSIONS
1	07.12.89	-				DIMS. SHOWN THUS >449 ±1
ISSUE	DATE	CHANGE NOTE	ISSUE	DATE	CHANGE NOTE	DIMS. SHOWN THUS 1. ±0.4
						DIMS. SHOWN THUS 1.0 ±0.15
DRAWN	MKEADY	CHECKED	CERTD.		SCALE NTS	DIMS. SHOWN THUS 1.00 ±0.05
Clarke Instruments Ltd.						UNLESS OTHERWISE STATED
TITLE						ALL DIMENSIONS IN MILLIMETRES
525 GATE LOCK L/H INWARD OPENING						DRG.No.
						525-204
						A4