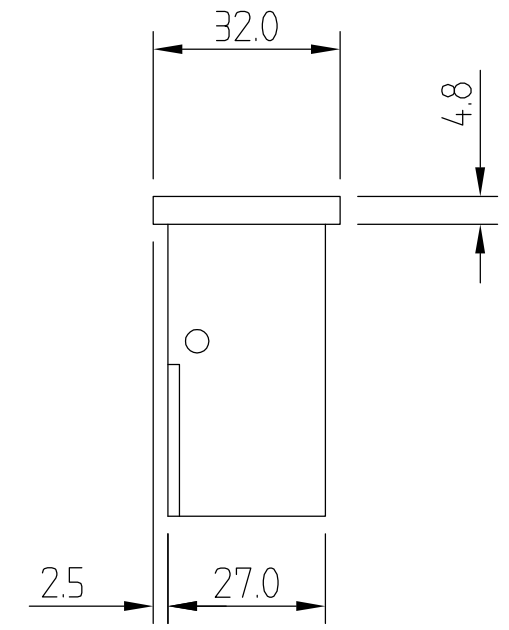
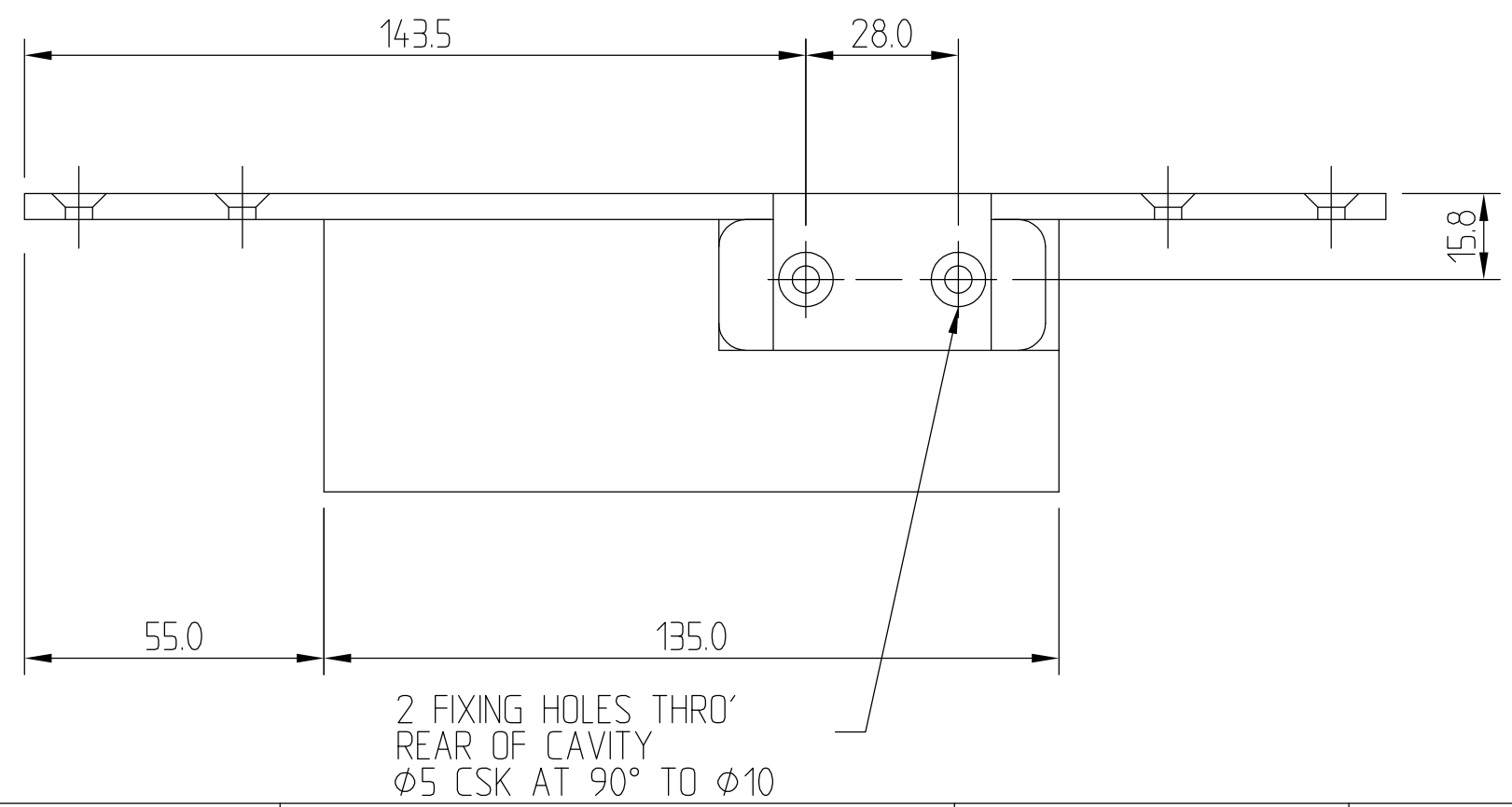
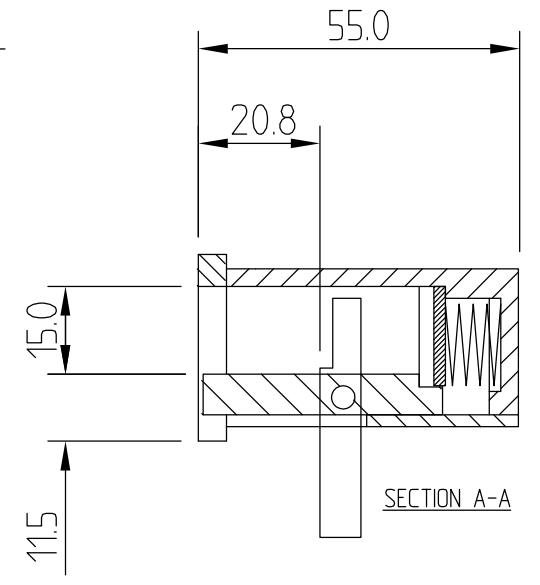
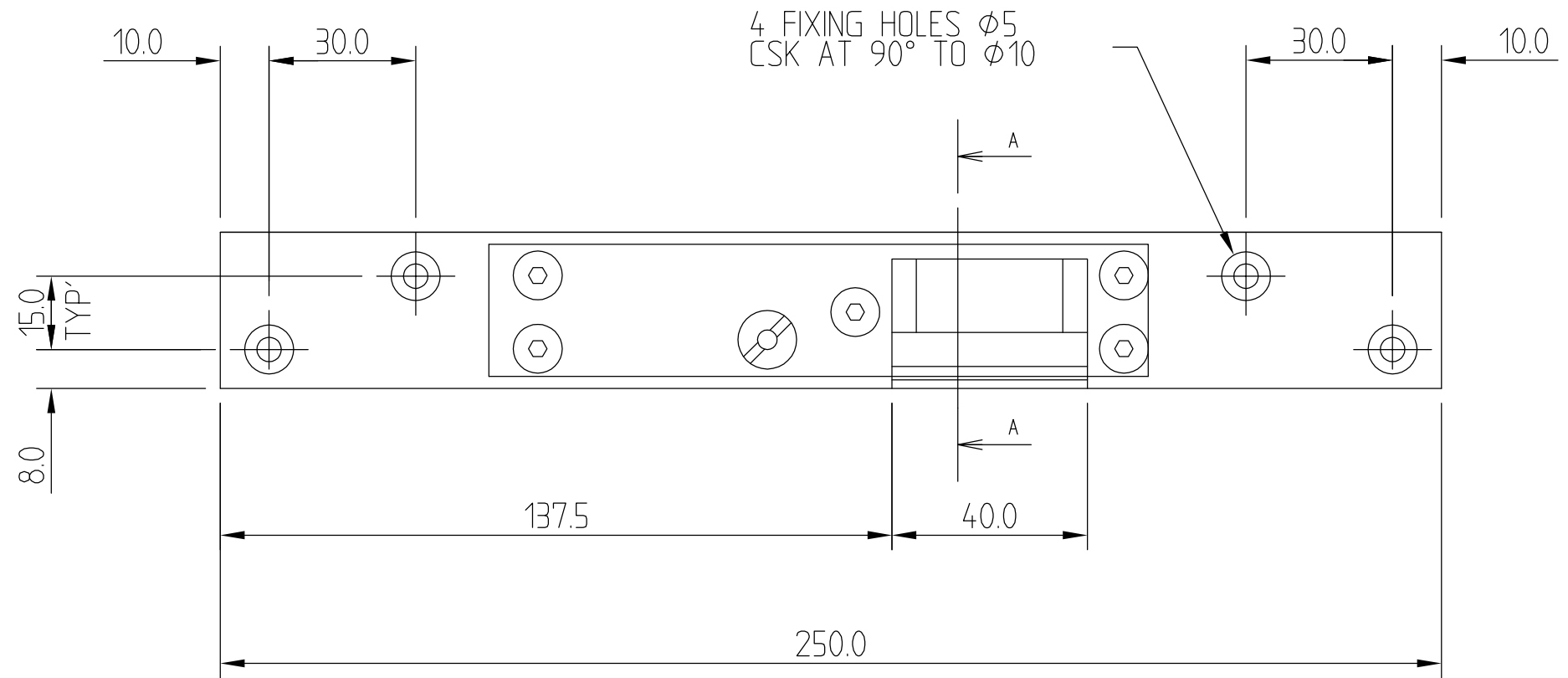


DRG No:
560B-200S

CLARKE INSTRUMENTS Ltd RESERVES
THE RIGHT TO CHANGE DETAILS
WITHOUT PRIOR NOTICE.



			MATERIAL: _____	FINISH: _____	CLARKE INSTRUMENTS Ltd	
			ALL DIMENSIONS ARE IN mm. DO NOT SCALE		SALES ILLUSTRATION MAGLEASE	
A	14.11.01	-				
ISS	DATE	CHANGE NOTE No.				
DRAWN			SIJ		DRG No: 560B-200S	