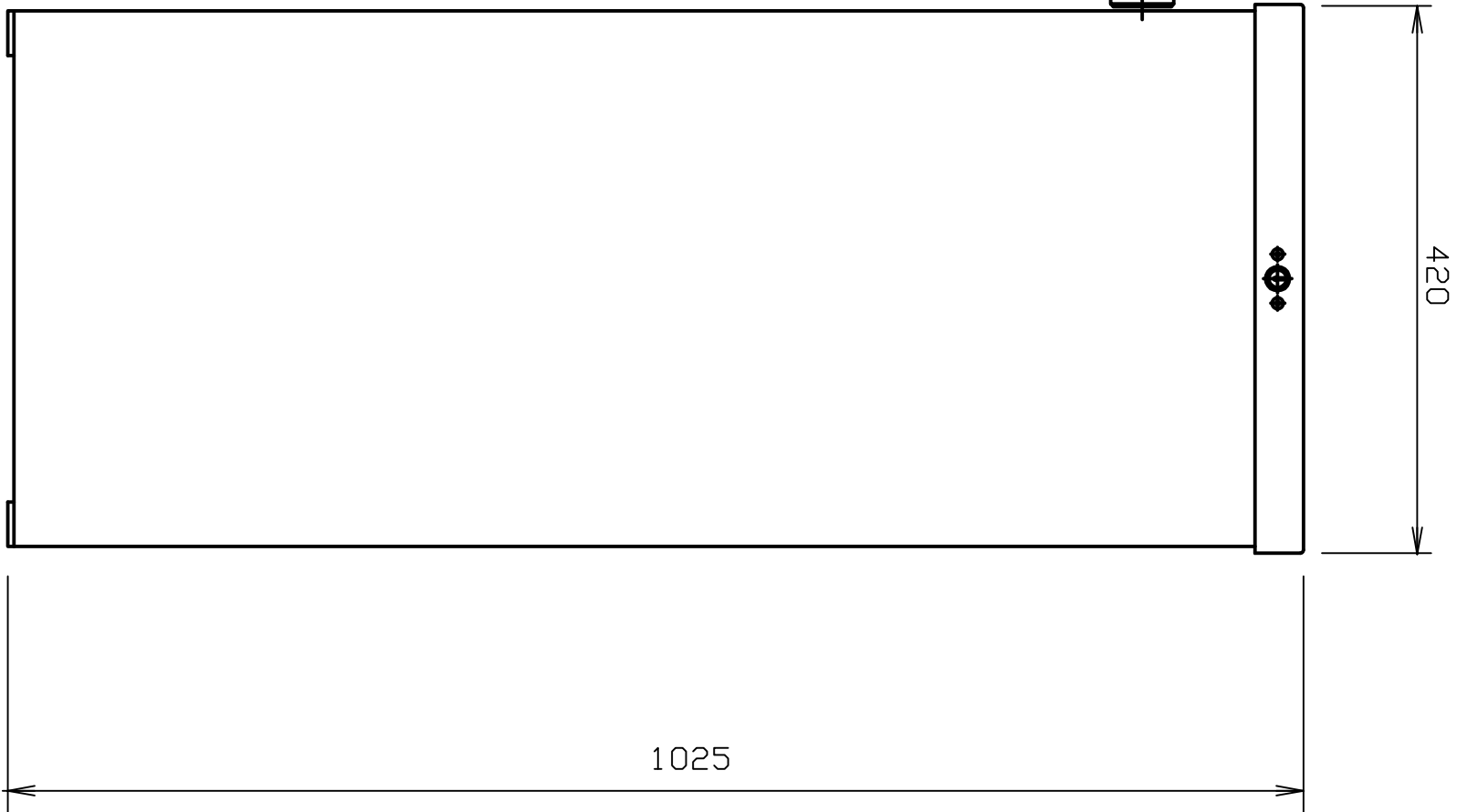
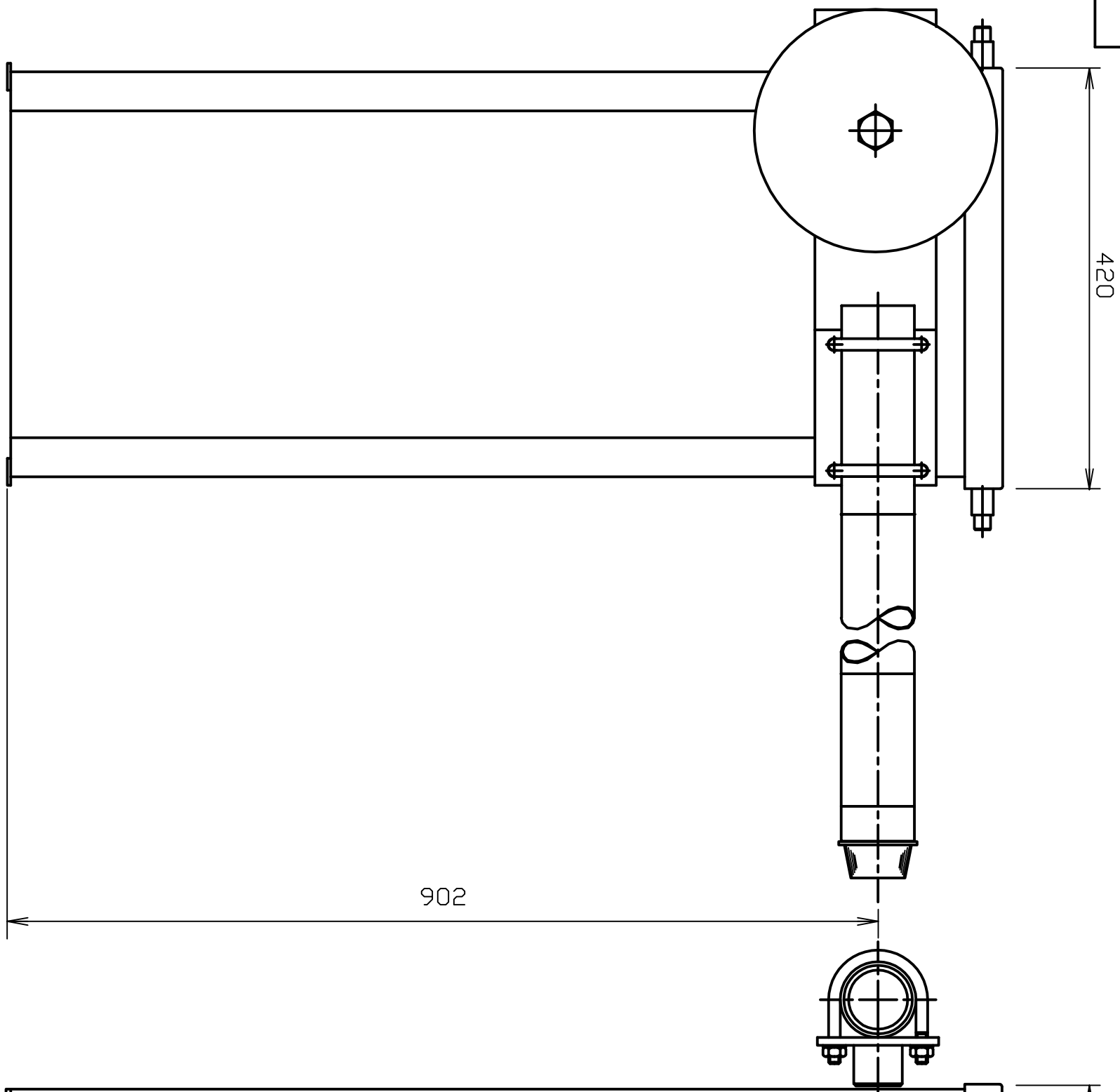
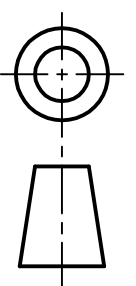


DRG.No. 659-200  
 USED ON  
 TYPE 659



DRAWN TO B.S. 308



THIRD ANGLE PROJECTION

ISSUE	DATE	CHANGE NOTE	ISSUE	DATE	CHANGE NOTE
A	1.2.99	-			
DRAWN	JS.	CHECKED	CERTD.	SCALE	-

PROTECTIVE FINISH  
 -  
 TOLERANCES FOR DIMENSIONS  
 DIMS. SHOWN THUS 1. ±0.4  
 DIMS. SHOWN THUS 10. ±0.15  
 DIMS. SHOWN THUS 100. ±0.05  
 UNLESS OTHERWISE STATED  
 ALL DIMENSIONS IN MILLIMETRES

MATERIAL  
 -  
 STORES REF.  
 TITLE

Clarke Instruments Ltd.  
 SALES ILLUSTRATION  
 OF SMALL BARRIER

DRG.No. 659-200  
 A3