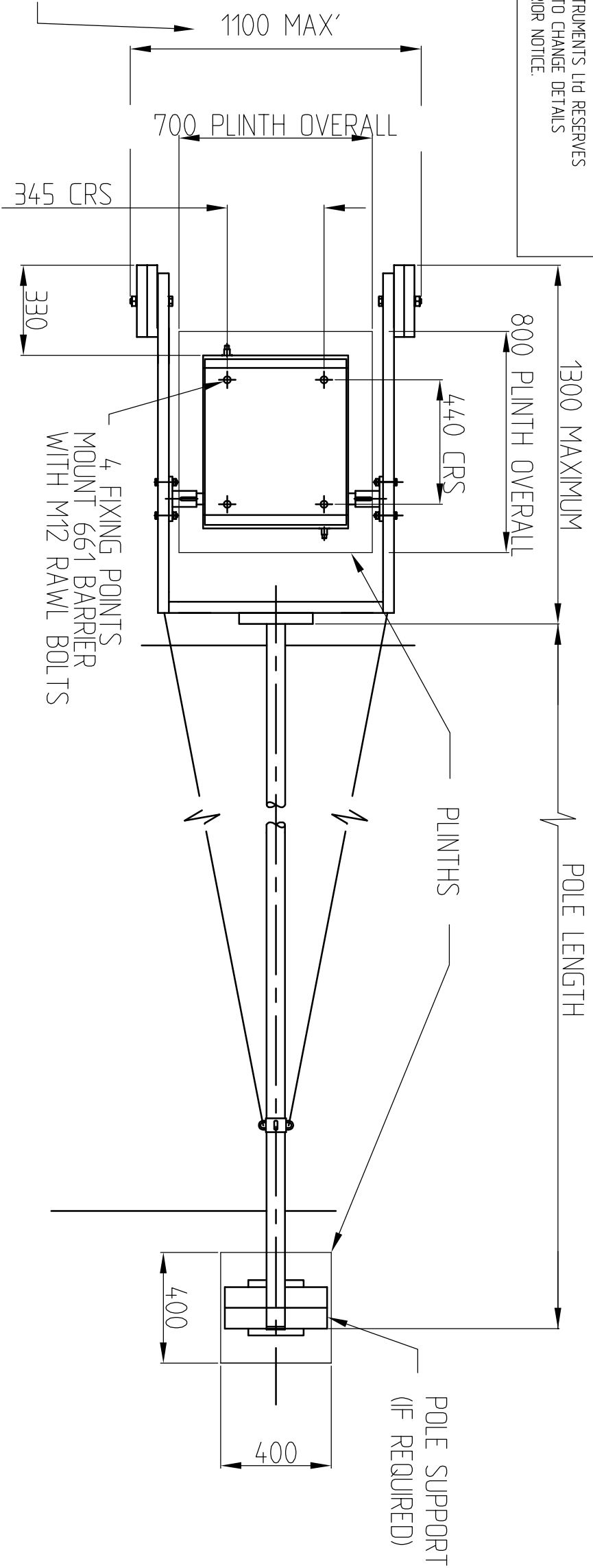
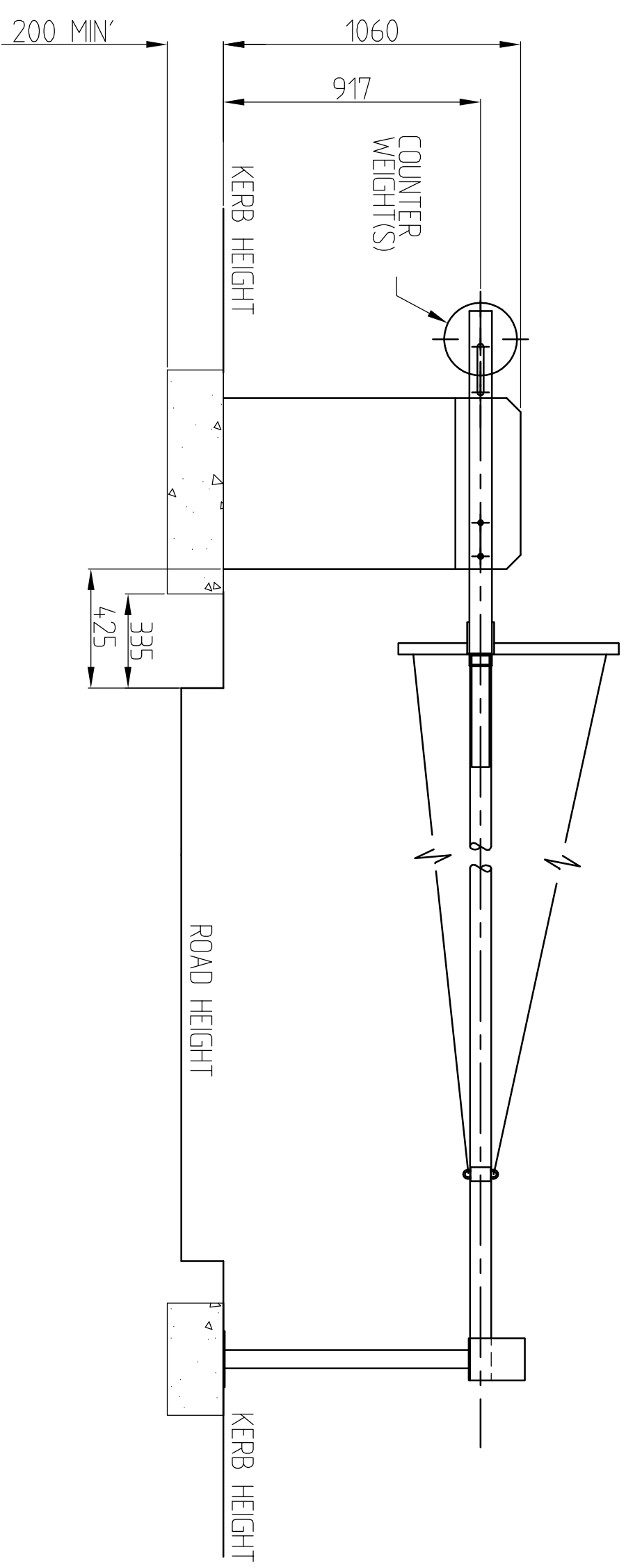


NOTE: DEPENDANT UPON No. WEIGHTS REQUIRED



ELEVATION



ISS	DATE	CHANGE NOTE No.
A	12.02.02	-
DRAWN	SIJ	

MATERIAL: -	FINISH: POWDER COATED	CLARKE INSTRUMENTS LTD
ALL DIMENSIONS ARE IN mm. DO NOT SCALE		
SALES ILLUSTRATION HEAVY DUTY BARRIER		DRG No: 661B-200