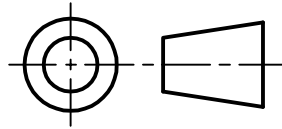


DRG.No. 870-200

USED ON

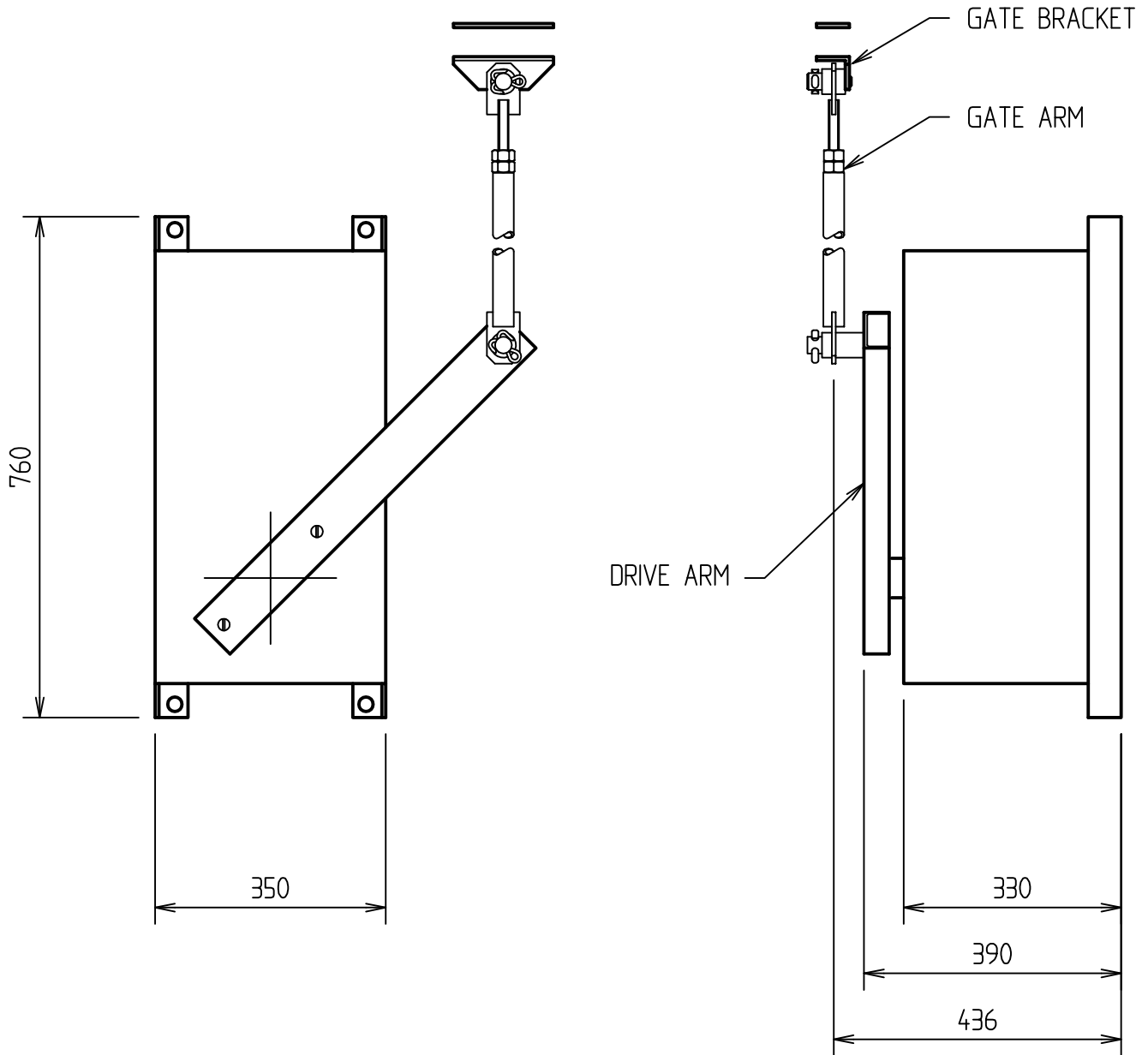
870-000

DRAWN TO B.S. 308



THIRD ANGLE PROJECTION

- DO NOT SCALE -



						MATERIAL
						-
						STORES REF. -
						PROTECTIVE FINISH
						-
						TOLERANCES FOR DIMENSIONS
A	22-3-96					DIMS. SHOWN THUS 1. 0.4
ISSUE	DATE	CHANGE NOTE	ISSUE	DATE	CHANGE NOTE	DIMS. SHOWN THUS 1.0 0.15
DRAWN	A.R.T.	CHECKED	CERTD.		SCALE 1:10	DIMS. SHOWN THUS 1.00 0.05
Clarke Instruments Ltd.						UNLESS OTHERWISE STATED
TITLE						ALL DIMENSIONS IN MILLIMETRES
GATEDRIVE DIMENSIONS						DRG.No. 870-200
						A4