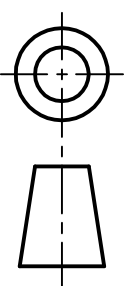


DRG.No. 870-320

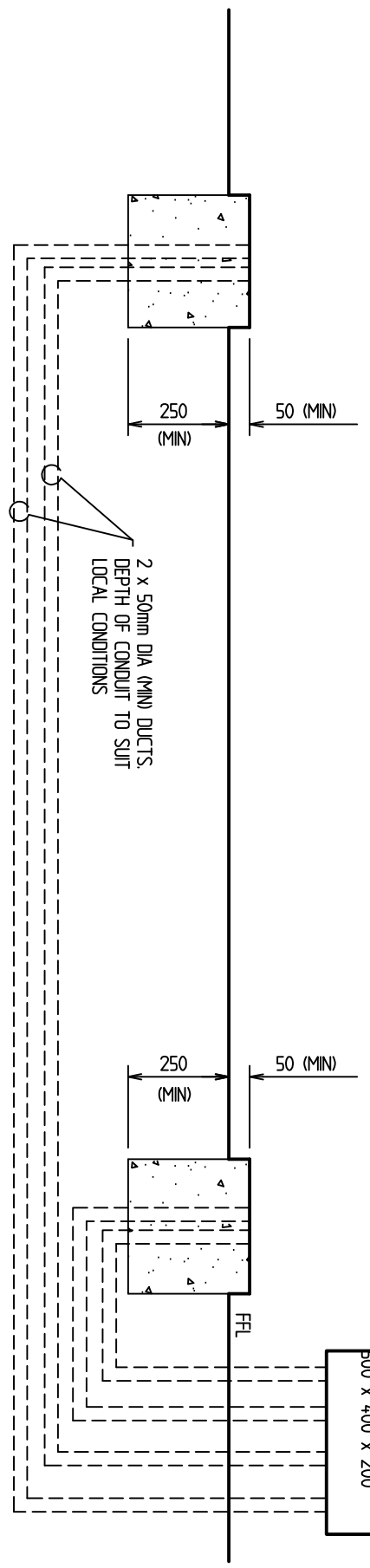
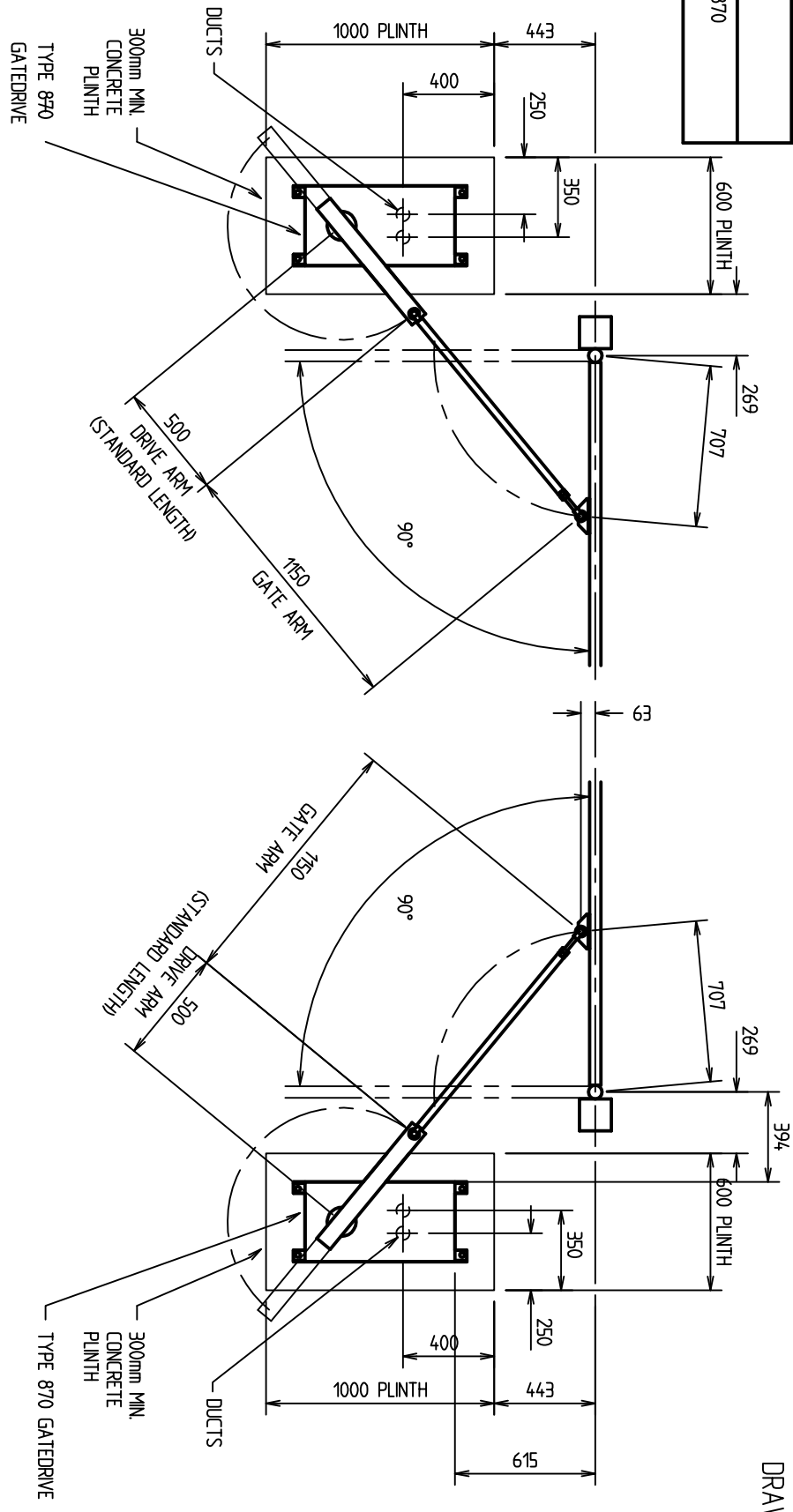
USED ON

TYPE 870

DRAWN TO B.S. 308



THIRD ANGLE PROJECTION



CLARKE INSTRUMENTS ELECTRICAL GRP ENCLOSURE INSTALLED ADJACENT TO GATE TYPICAL SIZE 500 x 400 x 200

GATEDRIVE CABLE SPECIFICATION		AS REQ'D
L/H DRIVE MICROSWITCHES	ENCLOSURE	6 CORE 16.02mm <sup>2</sup> (0.50mm <sup>2</sup> )
L/H DRIVE MOTOR	ENCLOSURE	3 CORE 15mm <sup>2</sup> + EARTH
R/H DRIVE MICROSWITCHES	ENCLOSURE	6 CORE 16.02mm <sup>2</sup> (0.50mm <sup>2</sup> )
R/H DRIVE MOTOR	ENCLOSURE	3 CORE 15mm <sup>2</sup> + EARTH

CONTROL CABLE SPECIFICATION		AS REQ'D
OPEN ONLY-AUTO CLOSE	ENCLOSURE	2 CORE SIGNAL 7/0.2mm STRD
OPEN/CLOSE (OPTIONAL STATUS LED'S)	ENCLOSURE	6 CORE SIGNAL 7/0.2mm STRD
OPEN/CLOSE/STOP (OPTIONAL STATUS LED'S)	ENCLOSURE	8 CORE SIGNAL 7/0.2mm STRD

POWER REQUIREMENTS TO ELECTRICAL ENCLOSURE		AS REQ'D
870 GATEDRIVE	240V A/C 10 AMP SWITCHED SUPPLY (SINGLE GATEDRIVE)	✓
870 GATEDRIVE	240V A/C 18 AMP SWITCHED SUPPLY (DOUBLE GATEDRIVE)	

STANDARD AUDIO CABLE SPECIFICATION		AS REQ'D
EXTERNAL SPEECH PANEL	ENCLOSURE	8 CORE SIGNAL 7/0.2mm STRD
INTERNAL PHONE	ENCLOSURE	8 CORE SIGNAL 7/0.2mm STRD

FOR DISTANCES GREATER THAN 150M, CONSULT C.I.L.

PROTECTIVE FINISH	
TOLERANCES FOR DIMENSIONS	
DIMS. SHOWN THUS 1	±0.4
DIMS. SHOWN THUS 10	±0.15
DIMS. SHOWN THUS 100	±0.05
UNLESS OTHERWISE STATED	
ALL DIMENSIONS IN MILLIMETRES	

PROTECTIVE FINISH	
TOLERANCES FOR DIMENSIONS	
DIMS. SHOWN THUS 1	±0.4
DIMS. SHOWN THUS 10	±0.15
DIMS. SHOWN THUS 100	±0.05
UNLESS OTHERWISE STATED	
ALL DIMENSIONS IN MILLIMETRES	

MATERIAL	
STORES REF.	
TITLE	

870 90° OPENING,  
STANDARD GEOMETRY, DOUBLE GATEDRIVE,  
CIVIL & CABLE DRAWING

DRG.No. 870-320  
A3

ISSUE	DATE	CHANGE NOTE	ISSUE	DATE	CHANGE NOTE
1	17-3-97	PROD ISS			
DRAWN	CIV	CHECKED	CERTD.	SCALE	

PROTECTIVE FINISH	
TOLERANCES FOR DIMENSIONS	
DIMS. SHOWN THUS 1	±0.4
DIMS. SHOWN THUS 10	±0.15
DIMS. SHOWN THUS 100	±0.05
UNLESS OTHERWISE STATED	
ALL DIMENSIONS IN MILLIMETRES	

PROTECTIVE FINISH	
TOLERANCES FOR DIMENSIONS	
DIMS. SHOWN THUS 1	±0.4
DIMS. SHOWN THUS 10	±0.15
DIMS. SHOWN THUS 100	±0.05
UNLESS OTHERWISE STATED	
ALL DIMENSIONS IN MILLIMETRES	

MATERIAL	
STORES REF.	
TITLE	

870 90° OPENING,  
STANDARD GEOMETRY, DOUBLE GATEDRIVE,  
CIVIL & CABLE DRAWING

DRG.No. 870-320  
A3

ISSUE	DATE	CHANGE NOTE	ISSUE	DATE	CHANGE NOTE
1	17-3-97	PROD ISS			
DRAWN	CIV	CHECKED	CERTD.	SCALE	

PROTECTIVE FINISH	
TOLERANCES FOR DIMENSIONS	
DIMS. SHOWN THUS 1	±0.4
DIMS. SHOWN THUS 10	±0.15
DIMS. SHOWN THUS 100	±0.05
UNLESS OTHERWISE STATED	
ALL DIMENSIONS IN MILLIMETRES	

PROTECTIVE FINISH	
TOLERANCES FOR DIMENSIONS	
DIMS. SHOWN THUS 1	±0.4
DIMS. SHOWN THUS 10	±0.15
DIMS. SHOWN THUS 100	±0.05
UNLESS OTHERWISE STATED	
ALL DIMENSIONS IN MILLIMETRES	

MATERIAL	
STORES REF.	
TITLE	

870 90° OPENING,  
STANDARD GEOMETRY, DOUBLE GATEDRIVE,  
CIVIL & CABLE DRAWING

DRG.No. 870-320  
A3