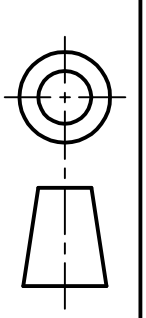
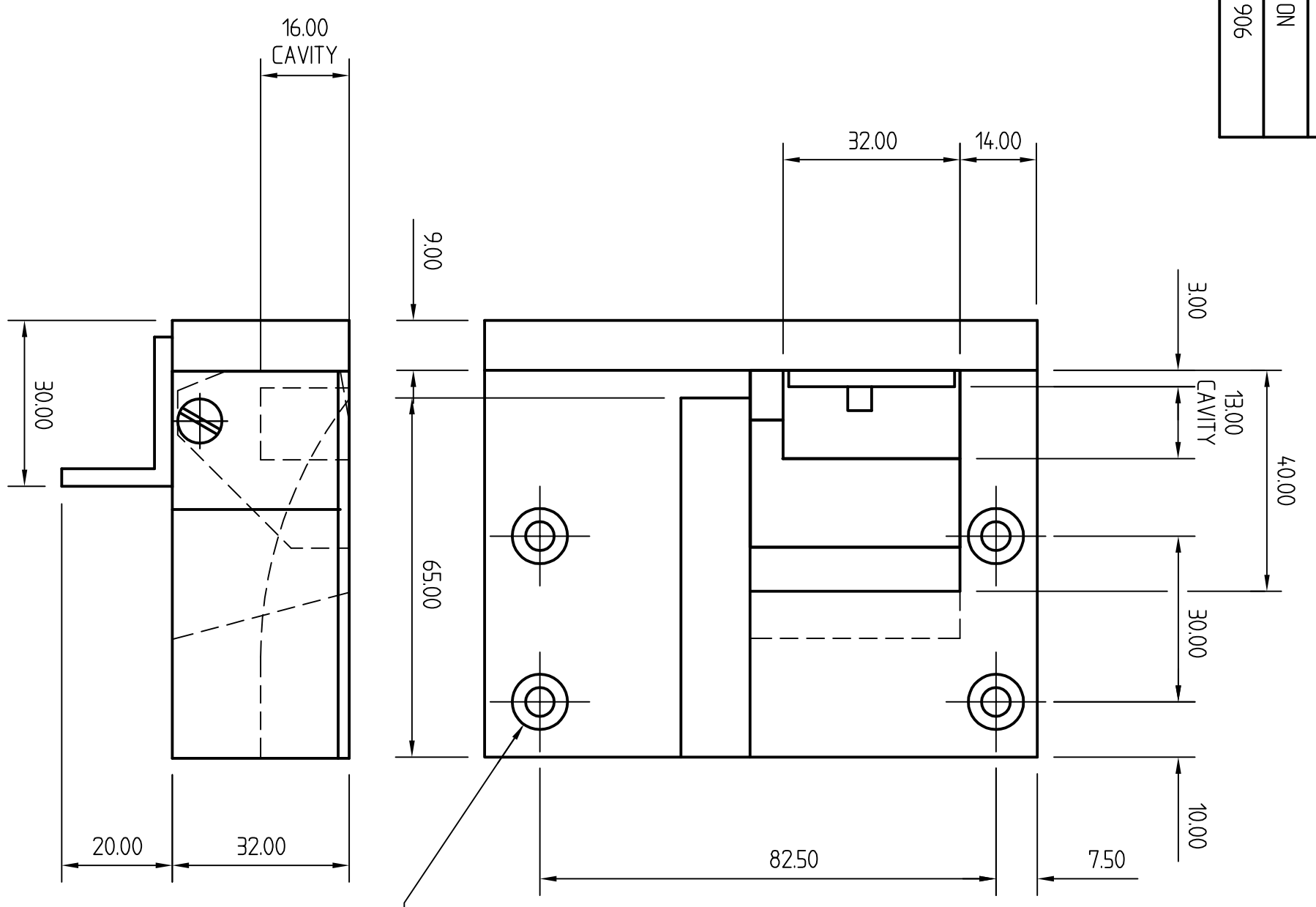


DRG.No. 906-200  
 USED ON  
 TYPE 906

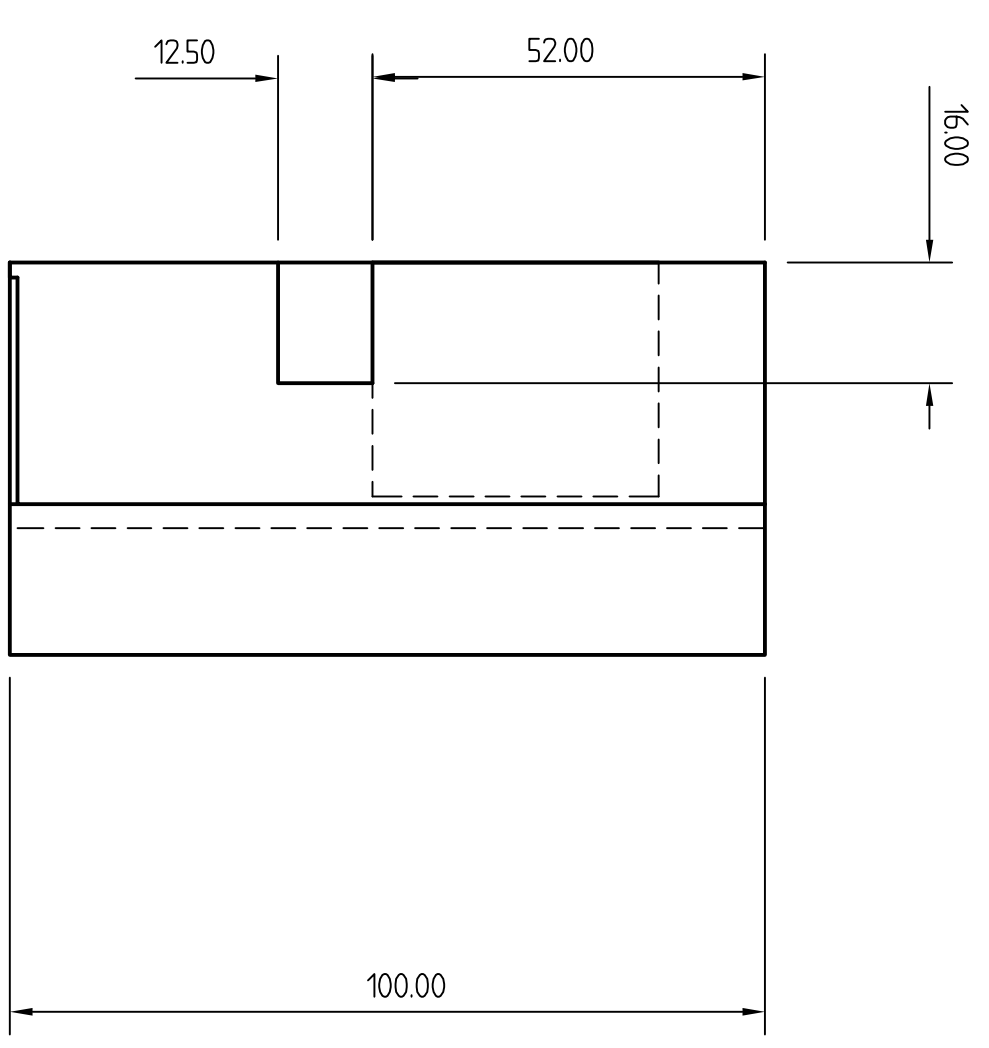
DRAWN TO B.S. 308



THIRD ANGLE PROJECTION



4 HOLES  $\phi 5.2$   
 CSK @  $90^\circ$   
 TD  $\phi 11 \times 15$  DEEP



PROTECTIVE FINISH	-
TOLERANCES FOR DIMENSIONS	-
DIMS. SHOWN THUS 1	$\pm 0.4$
DIMS. SHOWN THUS 10	$\pm 0.15$
DIMS. SHOWN THUS 100	$\pm 0.05$
UNLESS OTHERWISE STATED	
ALL DIMENSIONS IN MILLIMETRES	
ISSUE	DATE
1	25.07.01
DRAWN	BJG
CHECKED	
CERTD.	
SCALE	1:1
CHANGE NOTE	

MATERIAL -  
 STORES REF. -  
 TITLE  
 INGERSOL RELEASE OUTWARD OPENNING

Clark Instruments Ltd.  
 DRG.No. 906-200  
 A3