

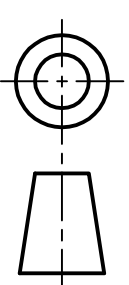
DRG.No. 913-201

USED ON

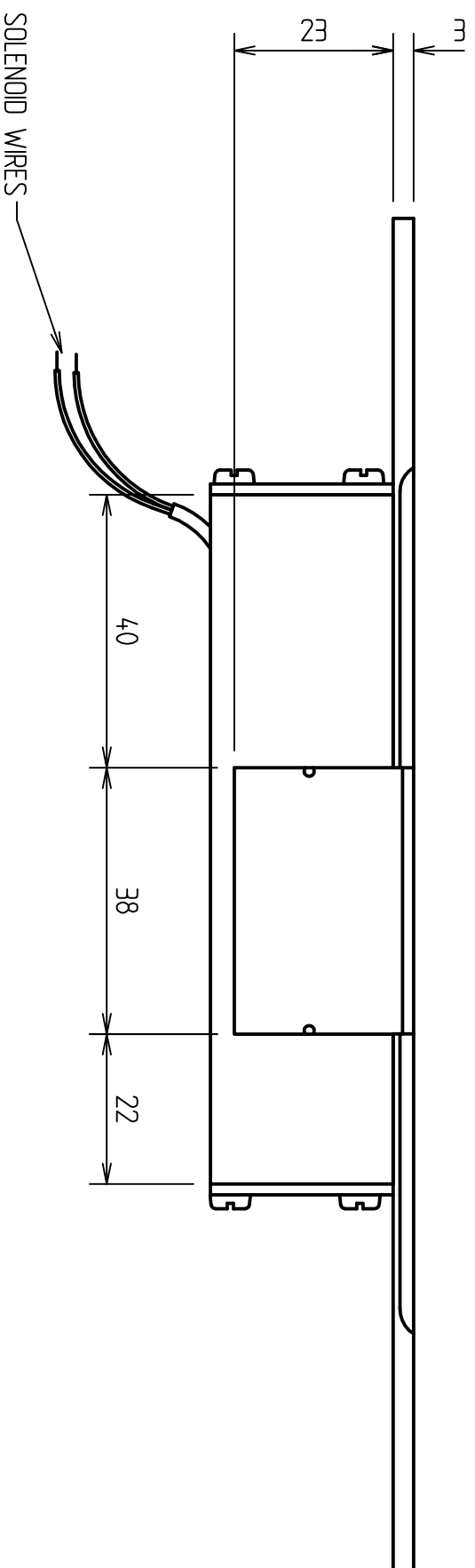
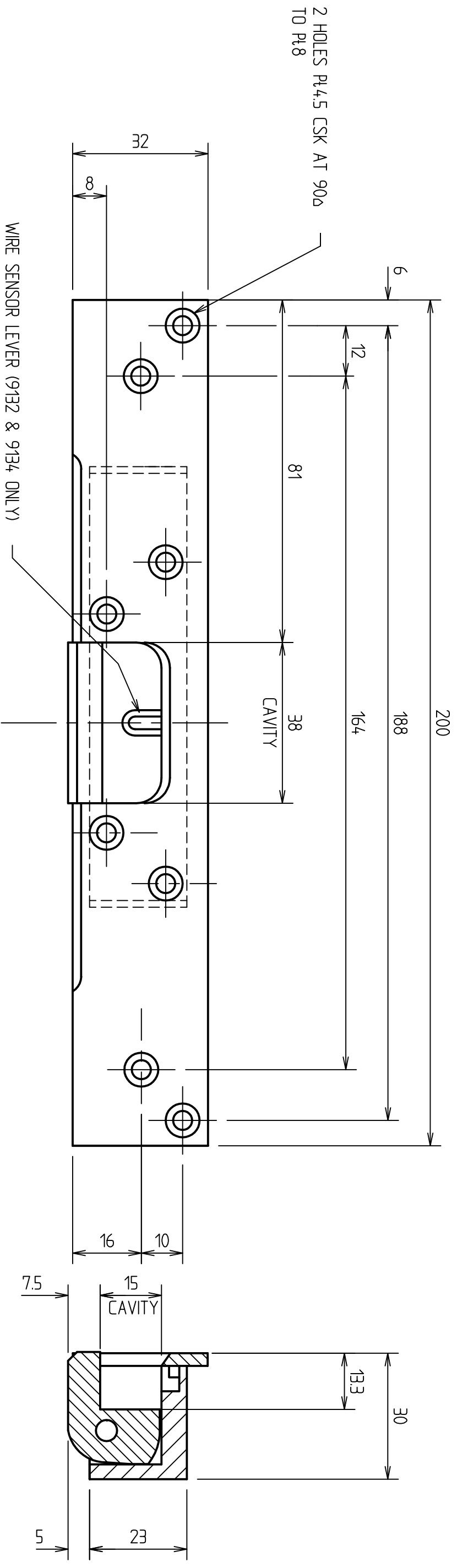
TYPE 913

STANDARD

DRAWN TO B.S. 308



THIRD ANGLE PROJECTION



|                                 |             |   |             |
|---------------------------------|-------------|---|-------------|
| PROTECTIVE FINISH<br>CIL SPEC B |             | MATERIAL  |             |
| TOLERANCES FOR DIMENSIONS       |             | STORES REF. -   |             |
| DIMS. SHOWN THUS 1              | 00.4        | <b>Clarke Instruments Ltd.</b><br>TITLE<br><b>SALES DRAWING</b> |             |
| DIMS. SHOWN THUS 10             | 00.15       |   |             |
| DIMS. SHOWN THUS 100            | 00.05       |   |             |
| UNLESS OTHERWISE STATED         |             | DRG.No. 913-201   |             |
| ALL DIMENSIONS IN MILLIMETRES   |             | A3  |             |
| ISSUE                           | CHANGE NOTE | ISSUE   | CHANGE NOTE |
| DATE                            |             | DATE  |             |
| 19-6-96                         | -           |   |             |
| A                               |             |   |             |
| B                               |             |   |             |
| 17-9-96                         | -           |   |             |
| B                               |             |   |             |
| C                               |             |   |             |
| 21-4-97                         | -           |   |             |
| C                               |             |   |             |
| 17-9-96                         | -           |   |             |
| B                               |             |   |             |
| 19-6-96                         | -           |   |             |
| A                               |             |   |             |
| ISSUE                           | CHANGE NOTE | ISSUE   | CHANGE NOTE |
| DATE                            |             | DATE  |             |
| 19-6-96                         | -           |   |             |
| A                               |             |   |             |
| B                               |             |   |             |
| C                               |             |   |             |
| 21-4-97                         | -           |   |             |
| C                               |             |   |             |
| 17-9-96                         | -           |   |             |
| B                               |             |   |             |
| 19-6-96                         | -           |   |             |
| A                               |             |   |             |
| ISSUE                           | CHANGE NOTE | ISSUE   | CHANGE NOTE |
| DATE                            |             | DATE  |             |
| 19-6-96                         | -           |   |             |
| A                               |             |   |             |
| B                               |             |   |             |
| C                               |             |   |             |
| 21-4-97                         | -           |   |             |
| C                               |             |   |             |
| 17-9-96                         | -           |   |             |
| B                               |             |   |             |
| 19-6-96                         | -           |   |             |
| A                               |             |   |             |
| ISSUE                           | CHANGE NOTE | ISSUE   | CHANGE NOTE |
| DATE                            |             | DATE  |             |
| 19-6-96                         | -           |   |             |
| A                               |             |   |             |
| B                               |             |   |             |
| C                               |             |   |             |
| 21-4-97                         | -           |   |             |
| C                               |             |   |             |
| 17-9-96                         | -           |   |             |
| B                               |             |   |             |
| 19-6-96                         | -           |   |             |
| A                               |             |   |             |
| ISSUE                           | CHANGE NOTE | ISSUE   | CHANGE NOTE |
| DATE                            |             | DATE  |             |
| 19-6-96                         | -           |   |             |
| A                               |             |   |             |
| B                               |             |   |             |
| C                               |             |   |             |
| 21-4-97                         | -           |   |             |
| C                               |             |   |             |
| 17-9-96                         | -           |   |             |
| B                               |             |   |             |
| 19-6-96                         | -           |   |             |
| A                               |             |   |             |
| ISSUE                           | CHANGE NOTE | ISSUE   | CHANGE NOTE |
| DATE                            |             | DATE  |             |
| 19-6-96                         | -           |   |             |
| A                               |             |   |             |
| B                               |             |   |             |
| C                               |             |   |             |
| 21-4-97                         | -           |   |             |
| C                               |             |   |             |
| 17-9-96                         | -           |   |             |
| B                               |             |   |             |
| 19-6-96                         | -           |   |             |
| A                               |             |   |             |
| ISSUE                           | CHANGE NOTE | ISSUE   | CHANGE NOTE |
| DATE                            |             | DATE  |             |
| 19-6-96                         | -           |   |             |
| A                               |             |   |             |
| B                               |             |   |             |
| C                               |             |   |             |
| 21-4-97                         | -           |   |             |
| C                               |             |   |             |
| 17-9-96                         | -           |   |             |
| B                               |             |   |             |
| 19-6-96                         | -           |   |             |
| A                               |             |   |             |
| ISSUE                           | CHANGE NOTE | ISSUE   | CHANGE NOTE |
| DATE                            |             | DATE  |             |
| 19-6-96                         | -           |   |             |
| A                               |             |   |             |
| B                               |             |   |             |
| C                               |             |   |             |
| 21-4-97                         | -           |   |             |
| C                               |             |   |             |
| 17-9-96                         | -           |   |             |
| B                               |             |   |             |
| 19-6-96                         | -           |   |             |
| A                               |             |   |             |
| ISSUE                           | CHANGE NOTE | ISSUE   | CHANGE NOTE |
| DATE                            |             | DATE  |             |
| 19-6-96                         | -           |   |             |
| A                               |             |   |             |
| B                               |             |   |             |
| C                               |             |   |             |
| 21-4-97                         | -           |   |             |
| C                               |             |   |             |
| 17-9-96                         | -           |   |             |
| B                               |             |   |             |
| 19-6-96                         | -           |   |             |
| A                               |             |   |             |
| ISSUE                           | CHANGE NOTE | ISSUE   | CHANGE NOTE |
| DATE                            |             | DATE  |             |
| 19-6-96                         | -           |   |             |
| A                               |             |   |             |
| B                               |             |   |             |
| C                               |             |   |             |
| 21-4-97                         | -           |   |             |
| C                               |             |   |             |
| 17-9-96                         | -           |   |             |
| B                               |             |   |             |
| 19-6-96                         | -           |   |             |
| A                               |             |   |             |
| ISSUE                           | CHANGE NOTE | ISSUE   | CHANGE NOTE |
| DATE                            |             | DATE  |             |
| 19-6-96                         | -           |   |             |
| A                               |             |   |             |
| B                               |             |   |             |
| C                               |             |   |             |
| 21-4-97                         | -           |   |             |
| C                               |             |   |             |
| 17-9-96                         | -           |   |             |
| B                               |             |   |             |
| 19-6-96                         | -           |   |             |
| A                               |             |   |             |
| ISSUE                           | CHANGE NOTE | ISSUE   | CHANGE NOTE |
| DATE                            |             | DATE  |             |
| 19-6-96                         | -           |   |             |
| A                               |             |   |             |
| B                               |             |   |             |
| C                               |             |   |             |
| 21-4-97                         | -           |   |             |
| C                               |             |   |             |
| 17-9-96                         | -           |   |             |
| B                               |             |   |             |
| 19-6-96                         | -           |   |             |
| A                               |             |   |             |
| ISSUE                           | CHANGE NOTE | ISSUE   | CHANGE NOTE |
| DATE                            |             | DATE  |             |
| 19-6-96                         | -           |   |             |
| A                               |             |   |             |
| B                               |             |   |             |
| C                               |             |   |             |
| 21-4-97                         | -           |   |             |
| C                               |             |   |             |
| 17-9-96                         | -           |   |             |
| B                               |             |   |             |
| 19-6-96                         | -           |   |             |
| A                               |             |   |             |
| ISSUE                           | CHANGE NOTE | ISSUE   | CHANGE NOTE |
| DATE                            |             | DATE  |             |
| 19-6-96                         | -           |   |             |
| A                               |             |   |             |
| B                               |             |   |             |
| C                               |             |   |             |
| 21-4-97                         | -           |   |             |
| C                               |             |   |             |
| 17-9-96                         | -           |   |             |
| B                               |             |   |             |
| 19-6-96                         | -           |   |             |
| A                               |             |   |             |
| ISSUE                           | CHANGE NOTE | ISSUE   | CHANGE NOTE |
| DATE                            |             | DATE  |             |
| 19-6-96                         | -           |   |             |
| A                               |             |   |             |
| B                               |             |   |             |
| C                               |             |   |             |
| 21-4-97                         | -           |   |             |
| C                               |             |   |             |
| 17-9-96                         | -           |   |             |
| B                               |             |   |             |
| 19-6-96                         | -           |   |             |
| A                               |             |   |             |
| ISSUE                           | CHANGE NOTE | ISSUE   | CHANGE NOTE |
| DATE                            |             | DATE  |             |
| 19-6-96                         | -           |   |             |
| A                               |             |   |             |
| B                               |             |   |             |
| C                               |             |   |             |
| 21-4-97                         | -           |   |             |
| C                               |             |   |             |
| 17-9-96                         | -           |   |             |
| B                               |             |   |             |
| 19-6-96                         | -           |   |             |
| A                               |             |   |             |
| ISSUE                           | CHANGE NOTE | ISSUE   | CHANGE NOTE |
| DATE                            |             | DATE  |             |
| 19-6-96                         | -           |   |             |
| A                               |             |   |             |
| B                               |             |   |             |
| C                               |             |   |             |
| 21-4-97                         | -           |   |             |
| C                               |             |   |             |
| 17-9-96                         | -           |   |             |
| B                               |             |   |             |
| 19-6-96                         | -           |   |             |
| A                               |             |   |             |
| ISSUE                           | CHANGE NOTE | ISSUE   | CHANGE NOTE |
| DATE                            |             | DATE  |             |
| 19-6-96                         | -           |   |             |
| A                               |             |   |             |
| B                               |             |   |             |
| C                               |             |   |             |
| 21-4-97                         | -           |   |             |
| C                               |             |   |             |
| 17-9-96                         | -           |   |             |
| B                               |             |   |             |
| 19-6-96                         | -           |   |             |
| A                               |             |   |             |
| ISSUE                           | CHANGE NOTE | ISSUE   | CHANGE NOTE |
| DATE                            |             | DATE  |             |
| 19-6-96                         | -           |   |             |
| A                               |             |   |             |
| B                               |             |   |             |
| C                               |             |   |             |
| 21-4-97                         | -           |   |             |
| C                               |             |   |             |
| 17-9-96                         | -           |   |             |
| B                               |             |   |             |
| 19-6-96                         | -           |   |             |
| A                               |             |   |             |
| ISSUE                           | CHANGE NOTE | ISSUE   | CHANGE NOTE |
| DATE                            |             | DATE  |             |
| 19-6-96                         | -           |   |             |
| A                               |             |   |             |
| B                               |             |   |             |
| C                               |             |   |             |
| 21-4-97                         | -           |   |             |
| C                               |             |   |             |
| 17-9-96                         | -           |   |             |
| B                               |             |   |             |
| 19-6-96                         | -           |   |             |
| A                               |             |   |             |
| ISSUE                           | CHANGE NOTE | ISSUE   | CHANGE NOTE |
| DATE                            |             | DATE  |             |
| 19-6-96                         | -           |   |             |
| A                               |             |   |             |
| B                               |             |   |             |
| C                               |             |   |             |
| 21-4-97                         | -           |   |             |
| C                               |             |   |             |
| 17-9-96                         | -           |   |             |
| B                               |             |   |             |
| 19-6-96                         | -           |   |             |
| A                               |             |   |             |
| ISSUE                           | CHANGE NOTE | ISSUE   | CHANGE NOTE |
| DATE                            |             | DATE  |             |
| 19-6-96                         | -           |   |             |
| A                               |             |   |             |
| B                               |             |   |             |
| C                               |             |   |             |
| 21-4-97                         | -           |   |             |
| C                               |             |   |             |
| 17-9-96                         | -           |   |             |
| B                               |             |   |             |
| 19-6-96                         | -           |   |             |
| A                               |             |   |             |
| ISSUE                           | CHANGE NOTE | ISSUE   | CHANGE NOTE |
| DATE                            |             | DATE  |             |
| 19-6-96                         | -           |   |             |
| A                               |             |   |             |
| B                               |             |   |             |
| C                               |             |   |             |
| 21-4-97                         | -           |   |             |
| C                               |             |   |             |
| 17-9-96                         | -           |   |             |
| B                               |             |   |             |
| 19-6-96                         | -           |   |             |
| A                               |             |   |             |
| ISSUE                           | CHANGE NOTE | ISSUE   | CHANGE NOTE |
| DATE                            |             | DATE  |             |
| 19-6-96                         | -           |   |             |
| A                               |             |   |             |
| B                               |             |   |             |
| C                               |             |   |             |
| 21-4-97                         | -           |   |             |
| C                               |             |   |             |
| 17-9-96                         | -           |   |             |
| B                               |             |   |             |
| 19-6-96                         | -           |   |             |
| A                               |             |   |             |
| ISSUE                           | CHANGE NOTE | ISSUE   | CHANGE NOTE |
| DATE                            |             | DATE  |             |
| 19-6-96                         | -           |   |             |
| A                               |             |   |             |
| B                               |             |   |             |
| C                               |             |   |             |
| 21-4-97                         | -           |   |             |
| C                               |             |   |             |
| 17-9-96                         | -           |   |             |
| B                               |             |   |             |
| 19-6-96                         | -           |   |             |
| A                               |             |   |             |
| ISSUE                           | CHANGE NOTE | ISSUE   | CHANGE NOTE |
| DATE                            |             | DATE  |             |
| 19-6-96                         | -           |   |             |
| A                               |             |   |             |
| B                               |             |   |             |
| C                               |             |   |             |
| 21-4-97                         | -           |   |             |
| C                               |             |   |             |
| 17-9-96                         | -           |   |             |
| B                               |             |   |             |
| 19-6-96                         | -           |   |             |
| A                               |             |   |             |
| ISSUE                           | CHANGE NOTE | ISSUE   | CHANGE NOTE |
| DATE                            |             | DATE  |             |
| 19-6-96                         | -           |   |             |
| A                               |             |   |             |
| B                               |             |   |             |
| C                               |             |   |             |
| 21-4-97                         | -           |   |             |
| C                               |             |   |             |
| 17-9-96                         | -           |   |             |
| B                               |             |   |             |
| 19-6-96                         | -           |   |             |
| A                               |             |   |             |
| ISSUE                           | CHANGE NOTE | ISSUE   | CHANGE NOTE |
| DATE                            |             | DATE  |             |
| 19-6-96                         | -           |   |             |
| A                               |             |   |             |
| B                               |             |   |             |
| C                               |             |   |             |
| 21-4-97                         | -           |   |             |
| C                               |             |   |             |
| 17-9-96                         | -           |   |             |
| B                               |             |   |             |
| 19-6-96                         | -           |   |             |
| A                               |             |   |             |
| ISSUE                           | CHANGE NOTE | ISSUE   | CHANGE NOTE |
| DATE                            |             | DATE  |             |
| 19-6-96                         | -           |   |             |
| A                               |             |   |             |
| B                               |             |   |             |
| C                               |             |   |             |
| 21-4-97                         | -           |   |             |
| C                               |             |   |             |
| 17-9-96                         | -           |   |             |
| B                               |             |   |             |
| 19-6-96                         | -           |   |             |
| A                               |             |   |             |
| ISSUE                           | CHANGE NOTE | ISSUE   | CHANGE NOTE |
| DATE                            |             | DATE  |             |
| 19-6-96                         | -           |   |             |
| A                               |             |   |             |
| B                               |             |   |             |
| C                               |             |   |             |
| 21-4-97                         | -           |   |             |
| C                               |             |   |             |
| 17-9-96                         | -           |   |             |
| B                               |             |   |             |
| 19-6-96                         | -           |   |             |
| A                               |             |   |             |