

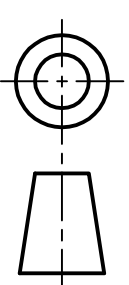
DRG.No. 913-202

USED ON

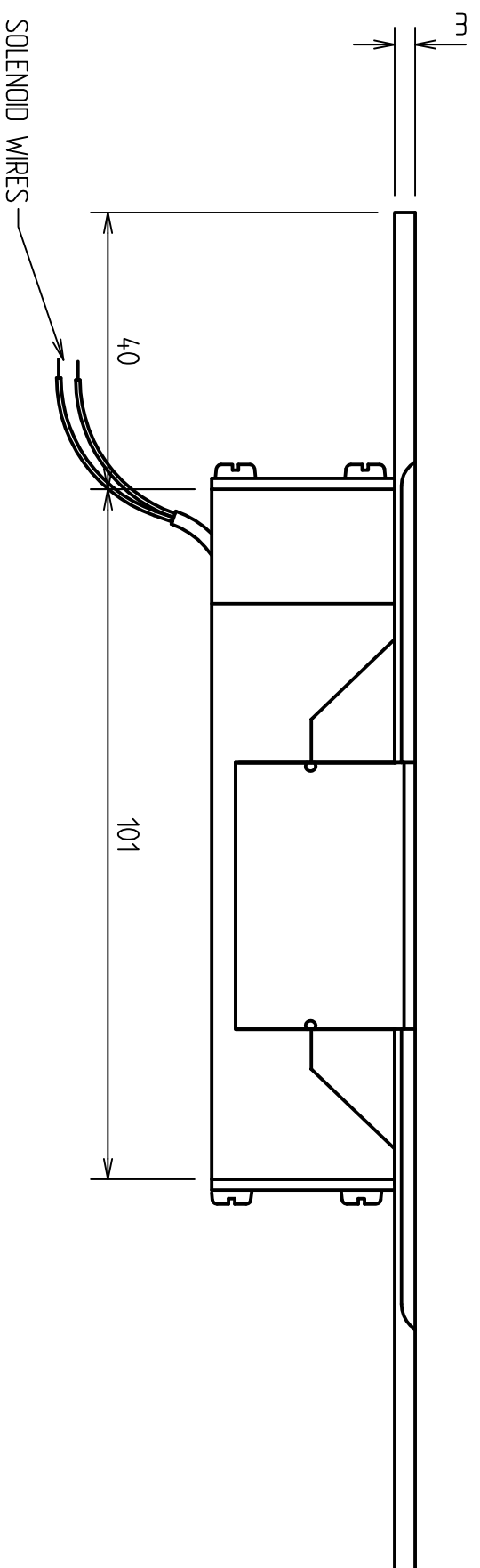
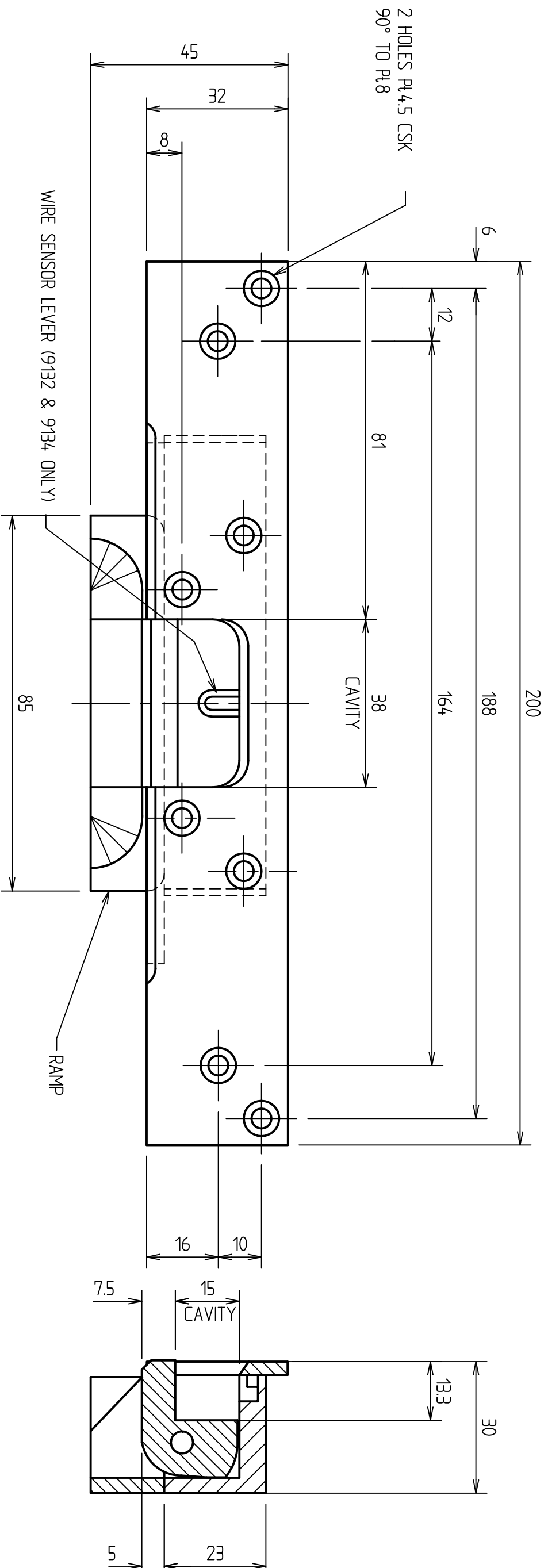
TYPE 913

STANDARD

DRAWN TO B.S. 308



THIRD ANGLE PROJECTION



ISSUE	DATE	CHANGE NOTE	ISSUE	DATE	CHANGE NOTE
C	18-4-97	-			
B	17-9-96	-			
A	19-6-96	-			
DRAWN	CJV	CHECKED	CERTD.	SCALE	1:1

PROTECTIVE FINISH  
CIL SPEC B

TOLERANCES FOR DIMENSIONS  
DIMS. SHOWN THUS 1 00.4  
DIMS. SHOWN THUS 10 00.15  
DIMS. SHOWN THUS 100 00.05  
UNLESS OTHERWISE STATED

ALL DIMENSIONS IN MILLIMETRES

MATERIAL

STORES REF. -

TITLE

Clarke Instruments Ltd.

SALES DRAWING WITH RAMP

DRG.No. 913-202

A3