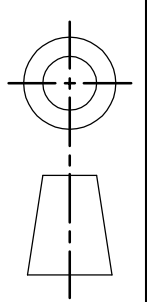


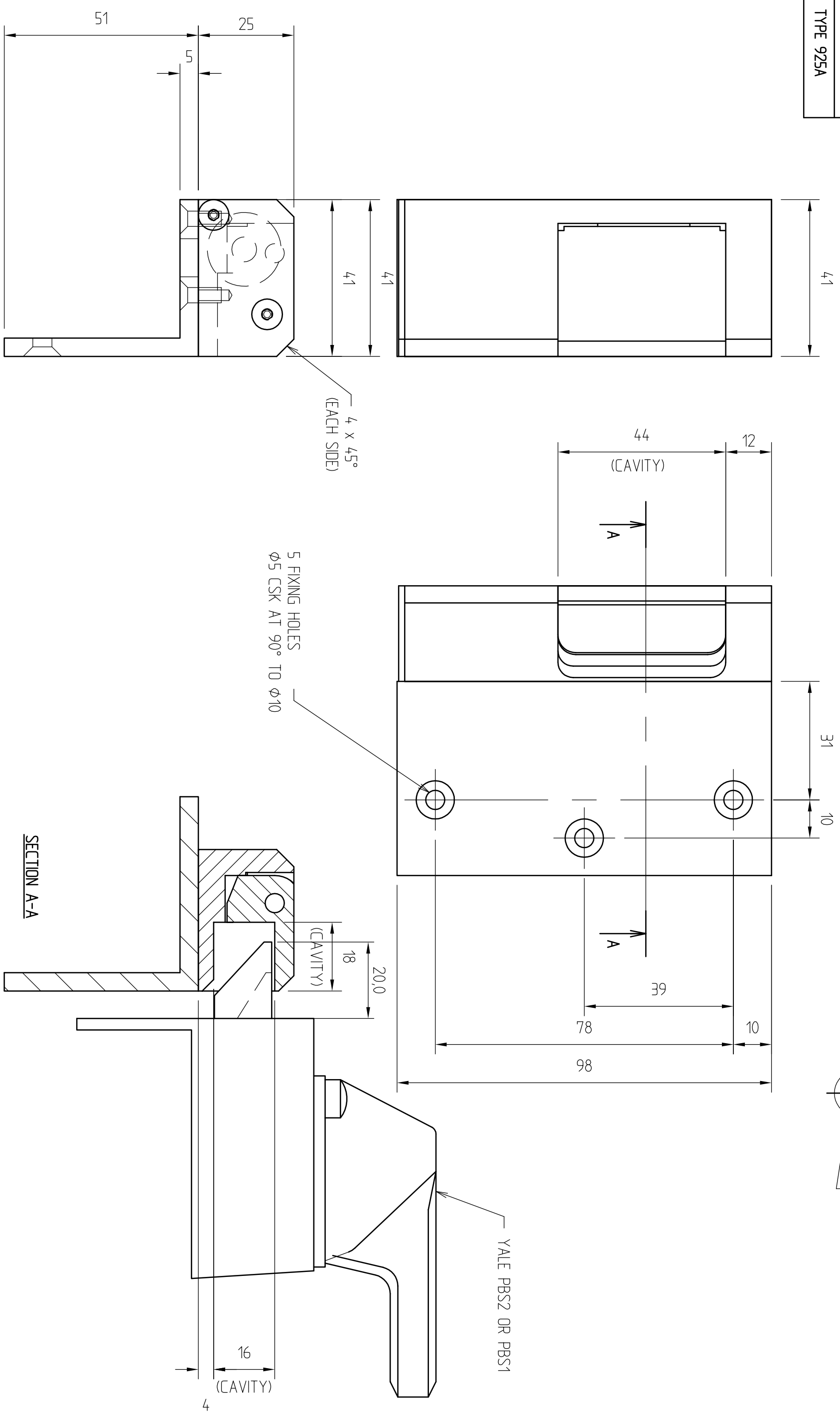
DRG.No.	925A-201
USED ON	
TYPE	925A

NOTE: CLARKE INSTRUMENTS LIMITED RESERVE THE RIGHT TO MODIFY THE DESIGN WITHOUT NOTICE

DRAWN TO B.S. 8888



THIRD ANGLE PROJECTION



PROTECTIVE FINISH

TOLERANCES FOR DIMENSIONS

DIMS. SHOWN THUS	>4.9	±1
DIMS. SHOWN THUS	1	±0.4
DIMS. SHOWN THUS	10	±0.15
DIMS. SHOWN THUS	100	±0.05
UNLESS OTHERWISE STATED		
ALL DIMENSIONS IN MILLIMETRES		

MATERIAL

STORES REF.

Clarke Instruments Ltd.

TITLE

"YALE" EXTENDED RANGE RIM RELEASE

DRG.No.

925A-201

A3

ISSUE	DATE	CHANGE NOTE	CHECKED	CERTD.	SCALE	NT'S
A	21-6-93	-				
B	2-7-03	ADDITION OF "TYPE PBS2 OR PBS1"				
C	9-07-03	DEPTH OF CAVITY INCREASED BY 4mm				
DRAWN	MAKEADY					