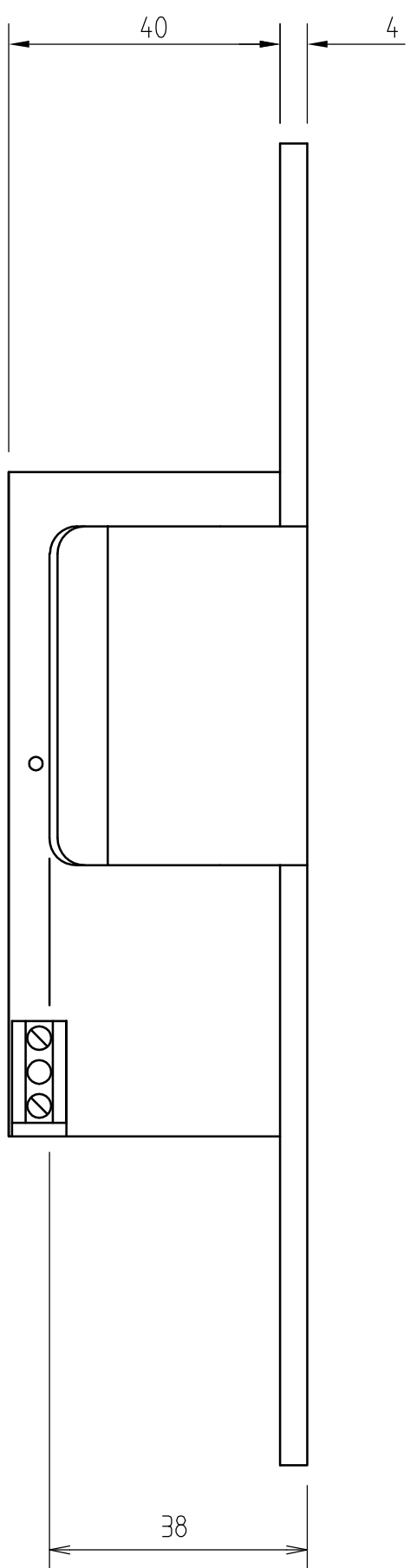
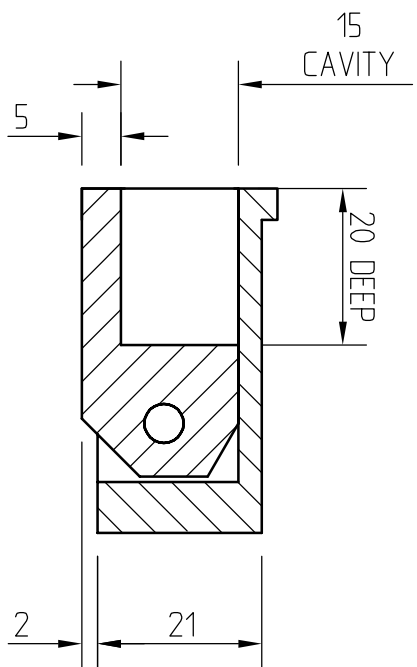


4 HOLES $\phi 5$
CSK @ 90° TD $\phi 10$



ISS	A	DATE	28.11.01	CHANGE NOTE No.	-
DRAWN					

MATERIAL: BRASS

ALL DIMENSIONS ARE IN mm.
DO NOT SCALE

FINISH: NONE

SALES ILLUSTRATION
ELECTRIC RELEASE
FOR DEADLOCKS

CLARKE INSTRUMENTS LTD

DRG No:
957B-200