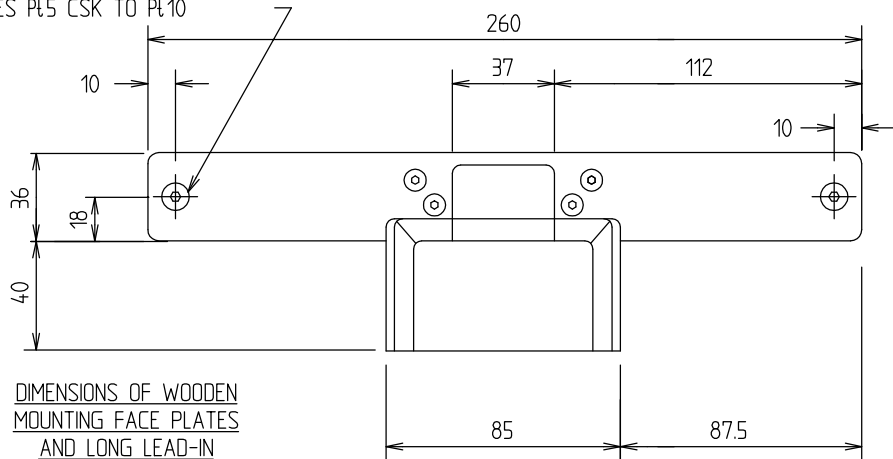
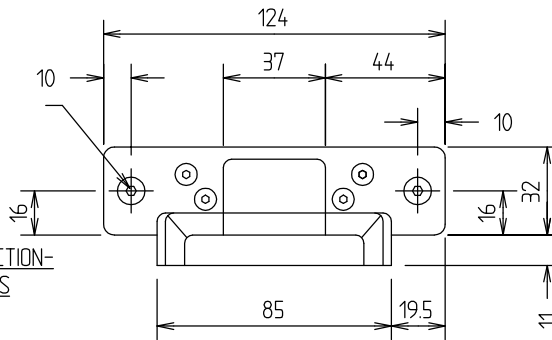


2 FIXING HOLES P4.5 CSK TO P4.10

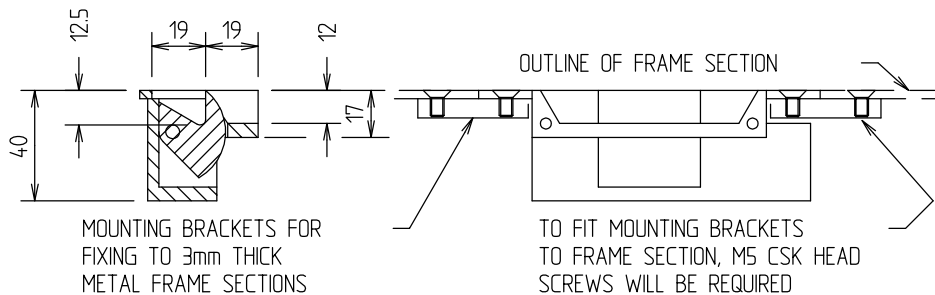


DIMENSIONS OF WOODEN MOUNTING FACE PLATES AND LONG LEAD-IN

2 FIXING HOLES P4.5 CSK TO P4.10 (USED TO FIT MOUNTING BRACKETS, IF REQUIRED. SCREWS SUPPLIED)



DIMENSIONS OF HOLLOW SECTION-MOUNTING FACE PLATES AND SHORT LEAD-IN



MOUNTING BRACKETS FOR FIXING TO 3mm THICK METAL FRAME SECTIONS

TO FIT MOUNTING BRACKETS TO FRAME SECTION, M5 CSK HEAD SCREWS WILL BE REQUIRED

						MATERIAL	
						-	
						STORES REF. -	
						PROTECTIVE FINISH	
						-	
-	-	-				TOLERANCES FOR DIMENSIONS	
A	09.06.04	-				DIMS. SHOWN THUS >449 ±1	
ISSUE	DATE	CHANGE NOTE	ISSUE	DATE	CHANGE NOTE	DIMS. SHOWN THUS 1. ±0.4	
						DIMS. SHOWN THUS 1.0 ±0.15	
						DIMS. SHOWN THUS 1.00 ±0.05	
						UNLESS OTHERWISE STATED	
						ALL DIMENSIONS IN MILLIMETRES	
DRAWN MKEADY						CHECKED	CERTD.
SCALE N.T.S							
TITLE						DRG.No.	A4
960 MORTISE LATCH RELEASE						960-200	