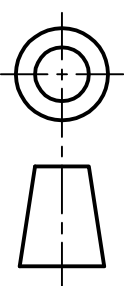
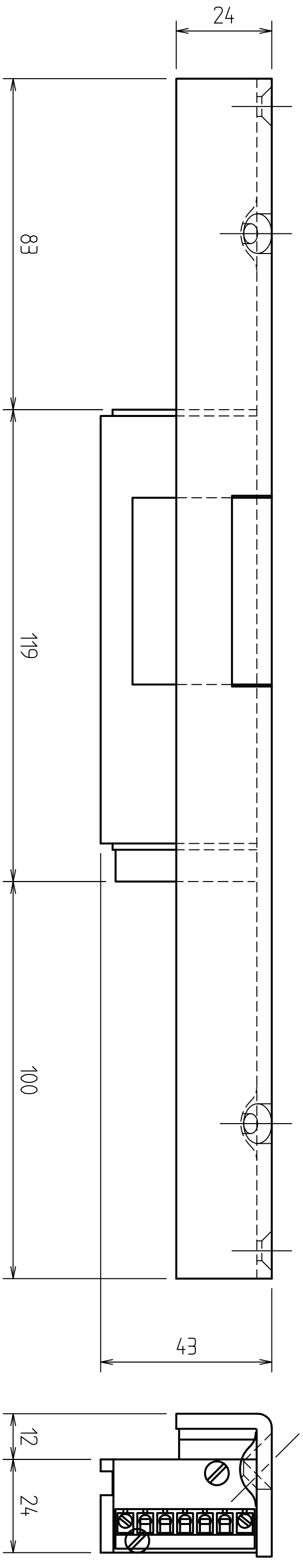
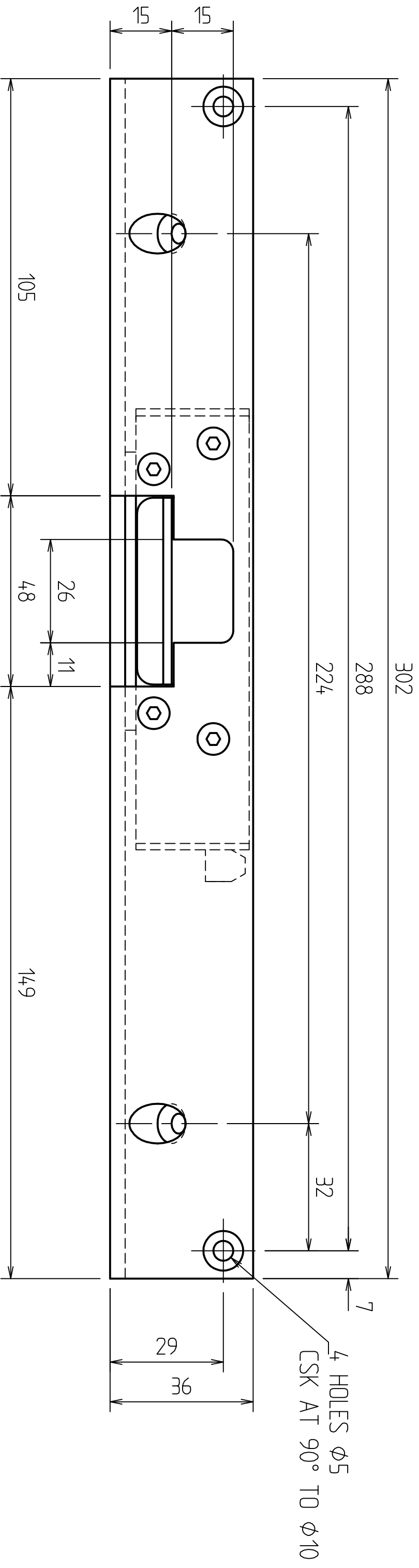


DRG.No. 966-200
 USED ON
 TYPE 966

DRAWN TO B.S. 308



THIRD ANGLE PROJECTION



ISSUE	DATE	CHANGE NOTE	ISSUE	DATE	CHANGE NOTE
B	1-5-97	-			
DRAWN	ART.	CHECKED	CERTD.	SCALE	
				1:1	

PROTECTIVE FINISH
 -
 TOLERANCES FOR DIMENSIONS
 DIMS. SHOWN THUS 1 00.4
 DIMS. SHOWN THUS 10 00.15
 DIMS. SHOWN THUS 100 00.05
 UNLESS OTHERWISE STATED
 ALL DIMENSIONS IN MILLIMETRES

MATERIAL
 -
 STORES REF.
 TITLE
 TYPE 966 WITH FACEPLATE 16
 TYPE No. 966-116

Clarke Instruments Ltd.
 DRG.No.
 966-200
 A3