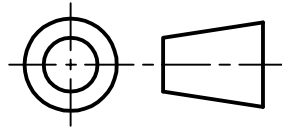


DRG.No. 976-200

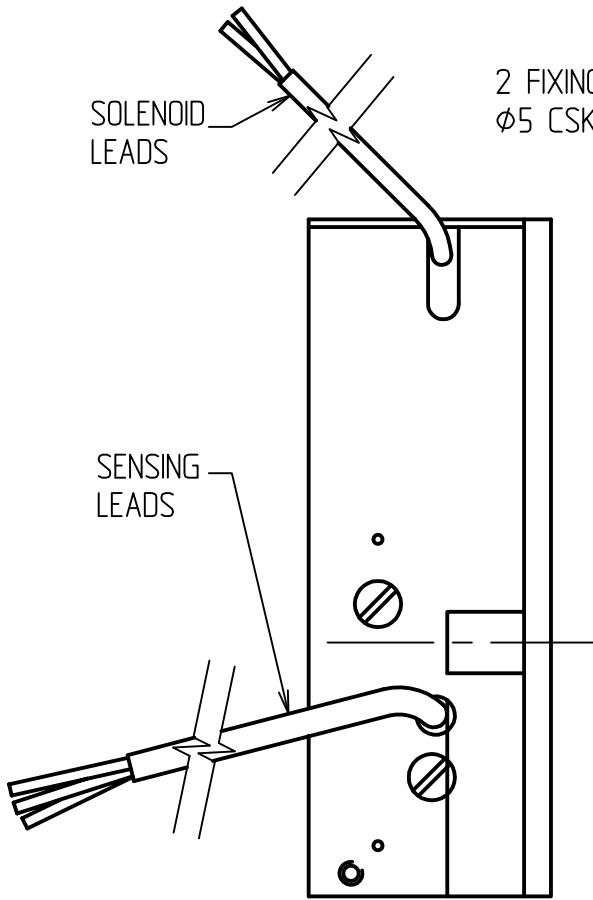
USED ON

976-000

DRAWN TO B.S. 308



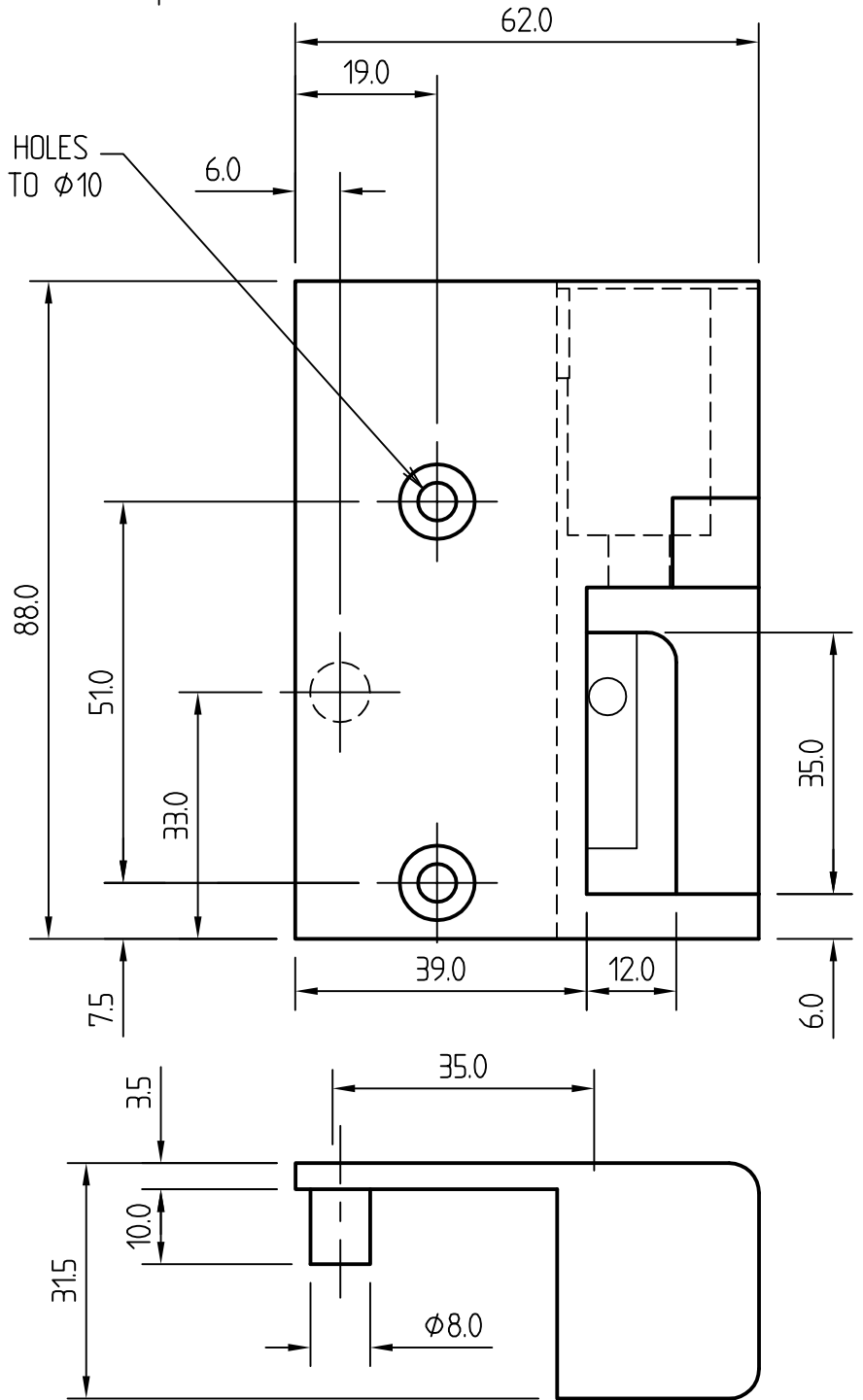
THIRD ANGLE PROJECTION



SOLENOID LEADS

SENSING LEADS

2 FIXING HOLES  
 $\phi 5$  CSK TO  $\phi 10$



NOTE: CLARKE INSTRUMENTS LIMITED  
 RESERVE THE RIGHT TO MODIFY THE  
 DESIGN WITHOUT NOTICE

						MATERIAL	-
						STORES REF.	-
						PROTECTIVE FINISH	-
B	20/9/02	CNS746 $\phi 8$ PIN WAS WAS 22 LONG				<del>                     TOLERANCES FOR DIMENSIONS                      DIMS. SHOWN THUS 1. 00.4                      DIMS. SHOWN THUS 10 00.15                      DIMS. SHOWN THUS 100 00.05                      UNLESS OTHERWISE STATED                      ALL DIMENSIONS IN MILLIMETRES                 </del>	
A	3-3-93	-					
ISSUE	DATE	CHANGE NOTE	ISSUE	DATE	CHANGE NOTE		
DRAWN	A.R.T.	CHECKED	CERTD.	SCALE	1:1		
Clarke Instruments Ltd.							
TITLE INGERSOL RELEASE INWARD OPENNING						DRG.No.	976-200
							A4