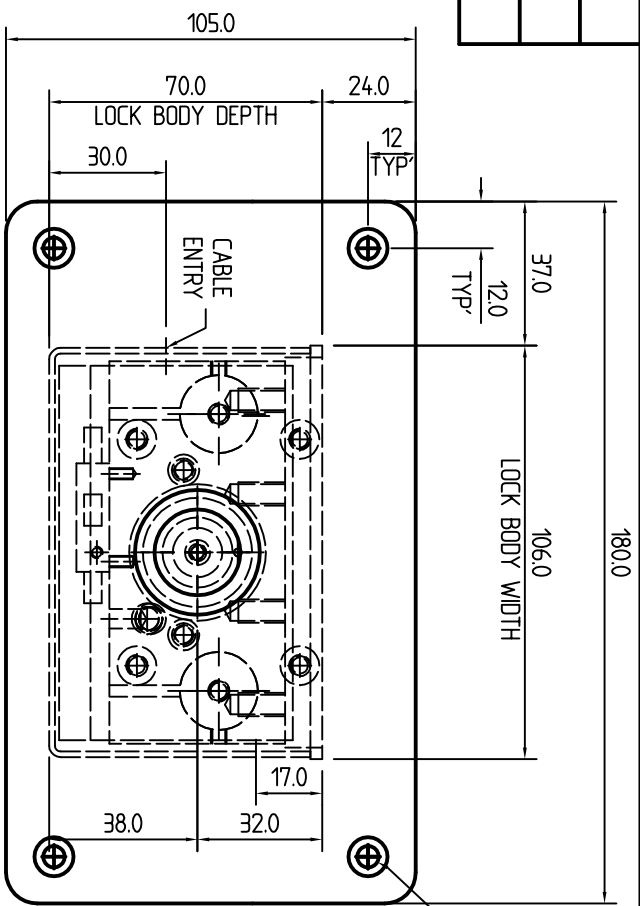


DRG.No. 715C-300

USED ON

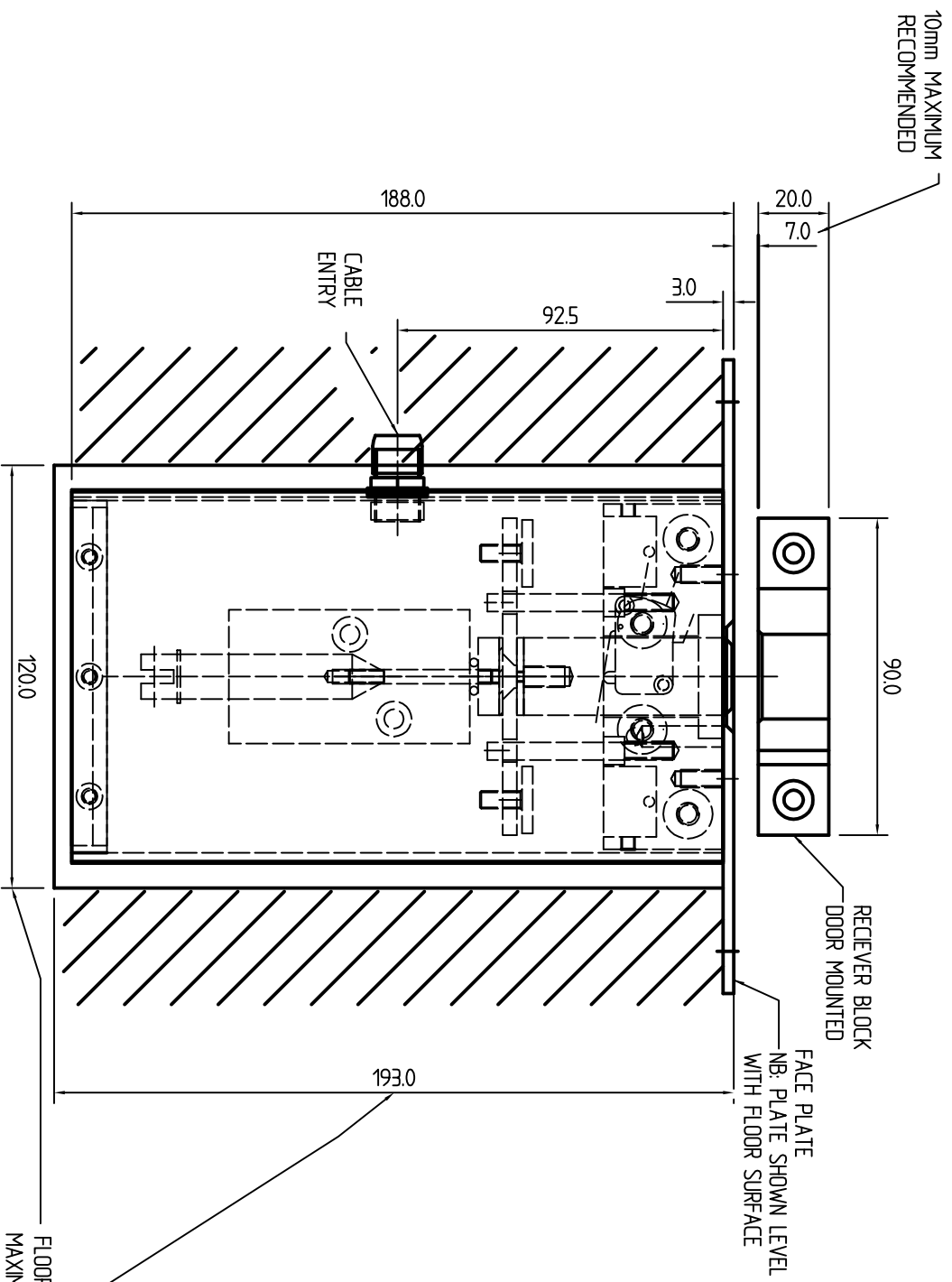
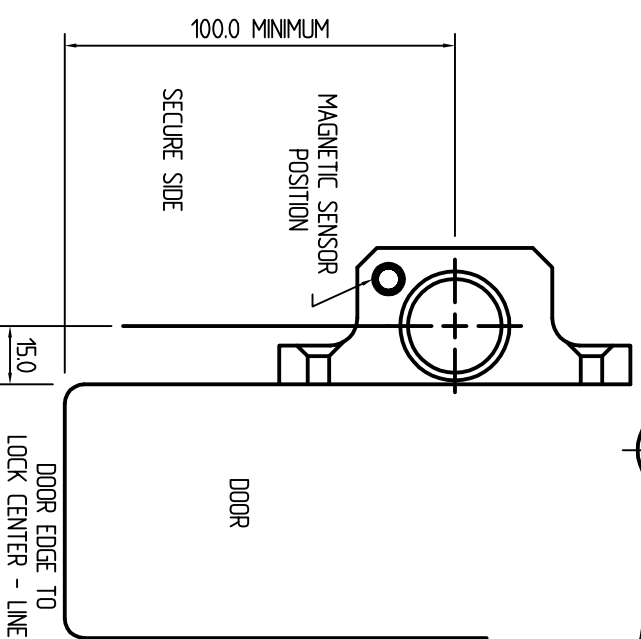
715



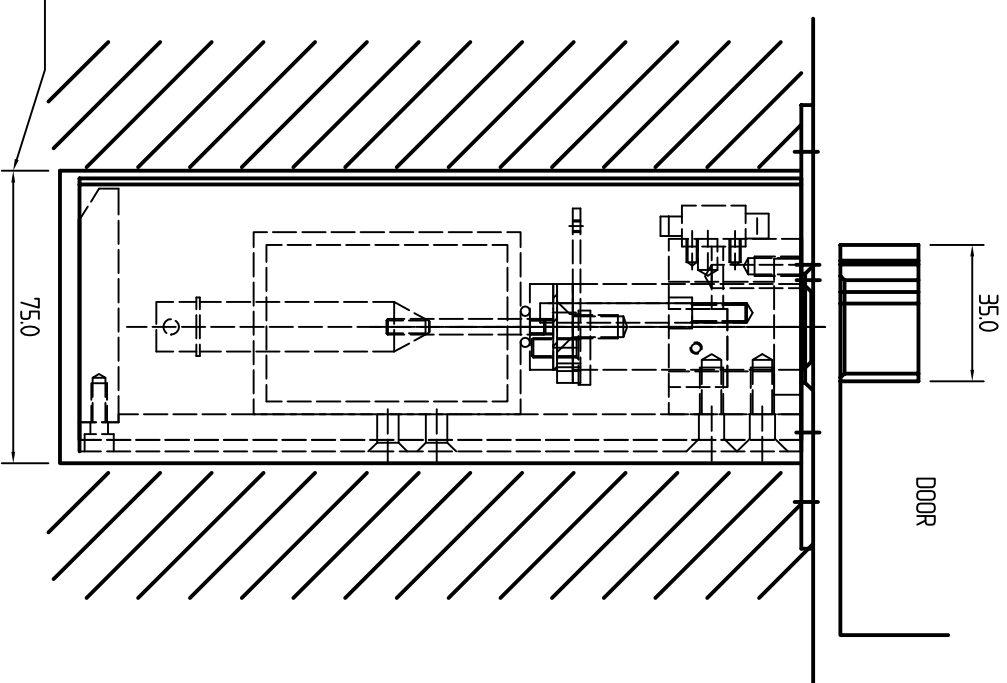
PLAN VIEW  
(RECEIVER BLOCK OMITTED FOR CLARITY - SEE OPPOSITE FOR DETAILS)

DRAWN TO B.S. 308

THIRD ANGLE PROJECTION



FLOOR CAVITY  
MAXIMUM VALUES FOR  
LOCK IN SUSPENDED FLOOR



PROTECTIVE FINISH

TOLERANCES FOR DIMENSIONS

DIMS. SHOWN THUS 1  $\pm$ 0.4  
DIMS. SHOWN THUS 10  $\pm$ 0.15  
DIMS. SHOWN THUS 100  $\pm$ 0.05  
UNLESS OTHERWISE STATED  
ALL DIMENSIONS IN MILLIMETRES

MATERIAL

STORES REF. STORES

Clarke Instruments Ltd.

TITLE

715C SHOOT BOLT SALES ILLUSTRATION

DRG.No.

715C-300

A3

ISSUE	DATE	CHECKED	CERTD.	SCALE
A	15.06.01			
DRAWN	DRAWN			

CHANGE NOTE	SCALE

SCALE	SCALE