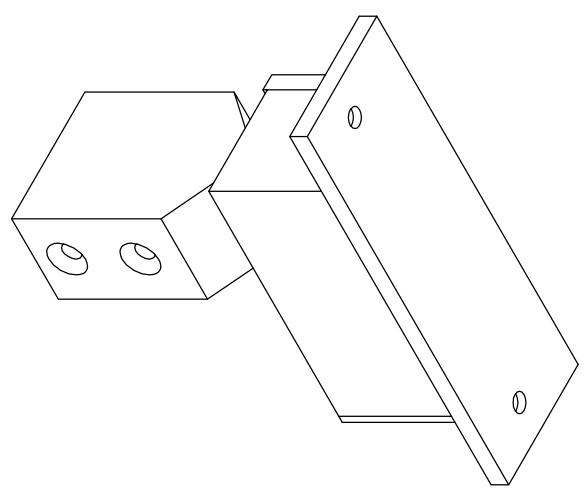
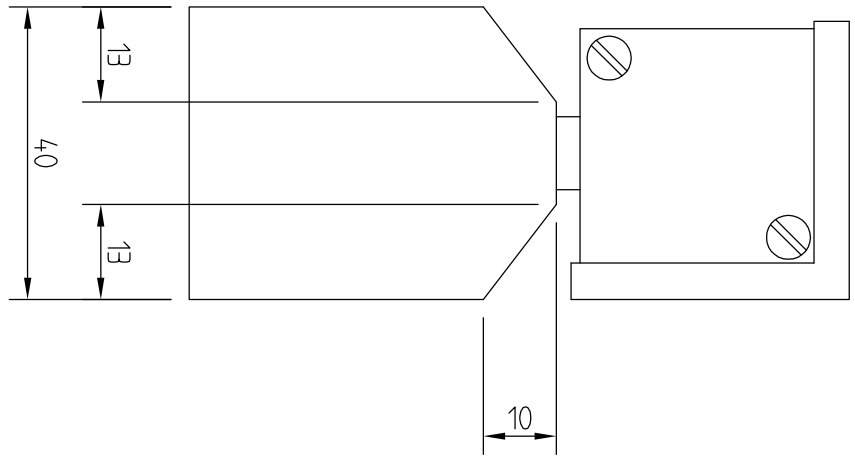
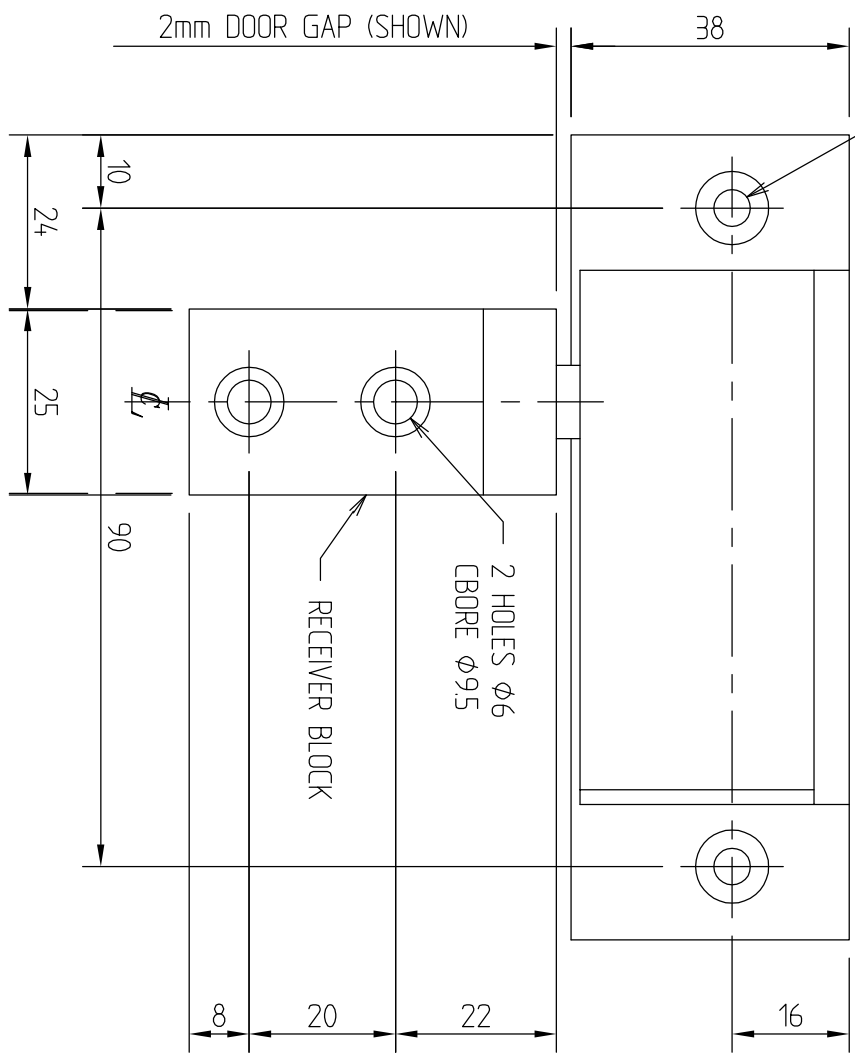
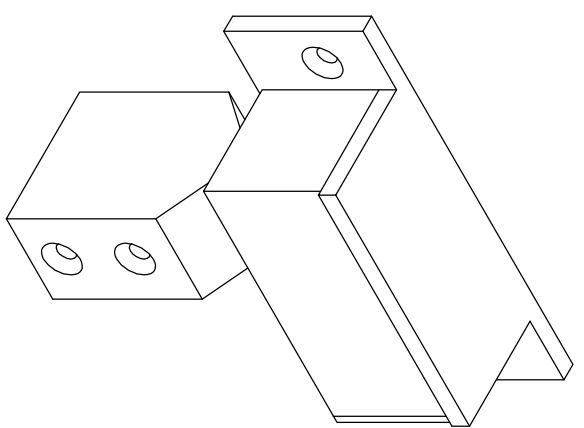


2 HOLES P15
CSK AT 90°
TO $\phi 10$



ISOMETRIC VIEW
(ALTERNATIVE CEILING MOUNTED ARRANGEMENT)



ISOMETRIC VIEW
(STANDARD SURFACE MOUNTED ARRANGEMENT)

MATERIAL: MILD STEEL

FINISH: POWDER COATED

CLARKE INSTRUMENTS LTD

ALL DIMENSIONS ARE IN mm.

SALES ILLUSTRATION
SOLENOID BOLT

ISS	DATE	CHANGE NOTE No.
A	28.11.01	-
DRAWN		SJJ

DO NOT SCALE

DRG No:

795B-200