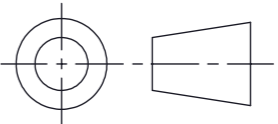
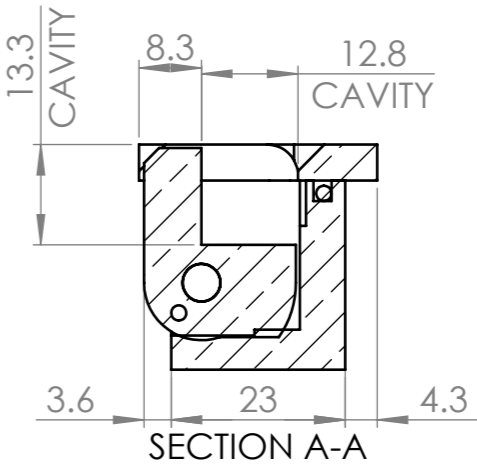
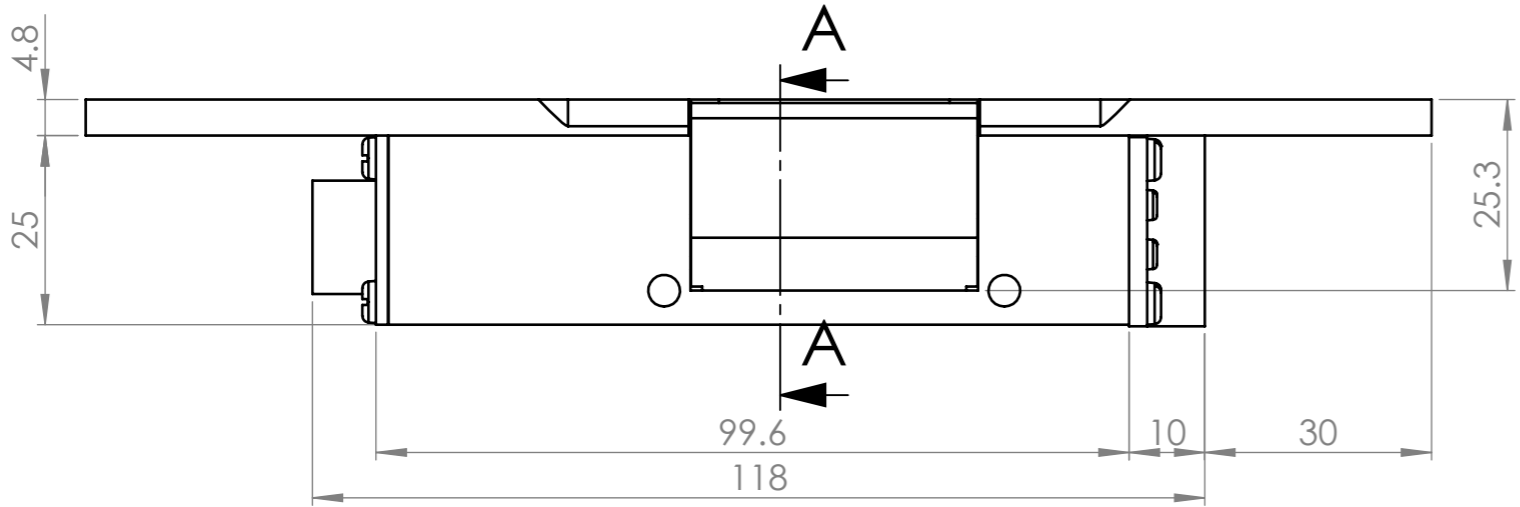
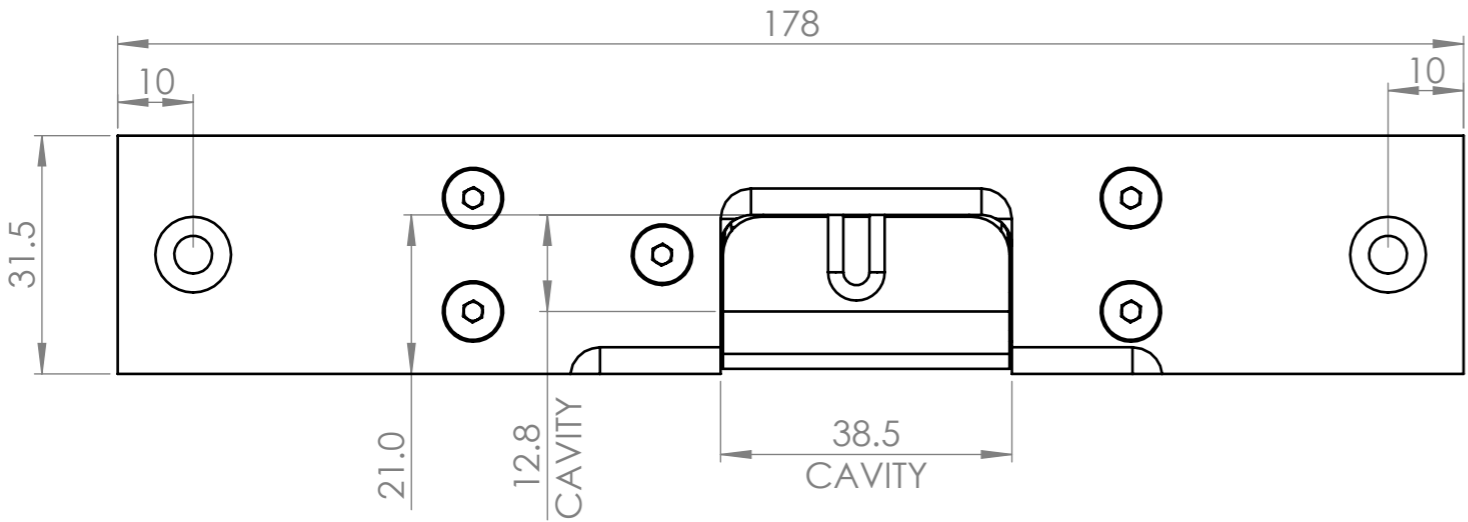
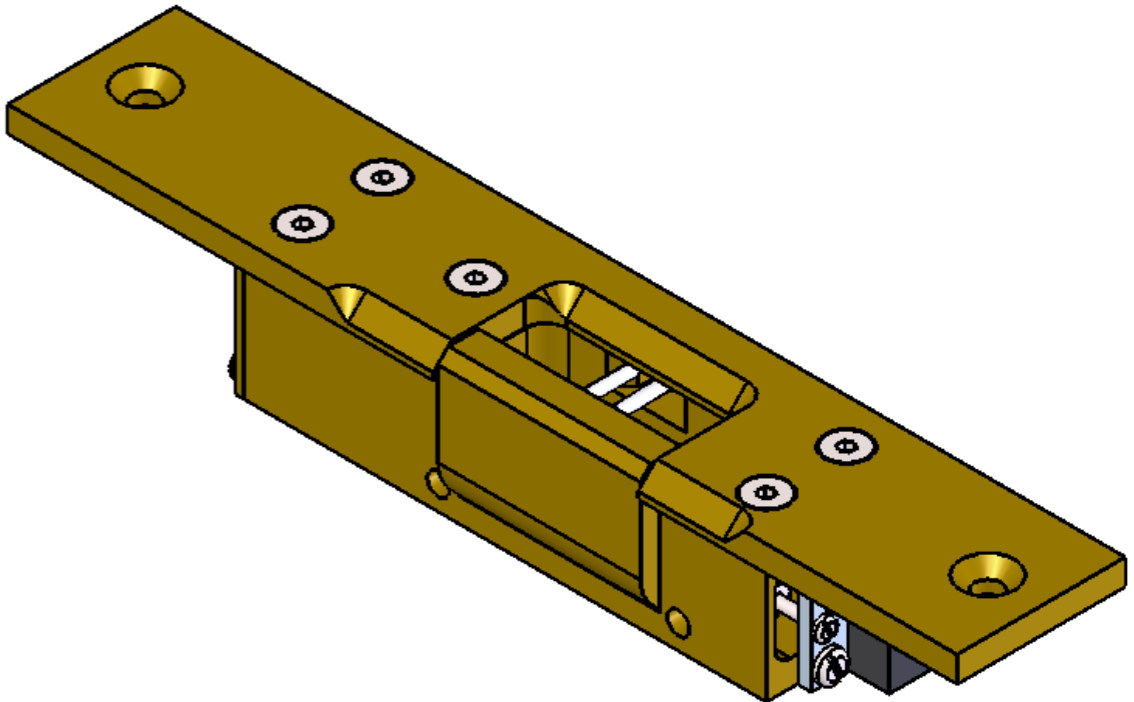


DRG.No.	903-201
USED ON	

DRAWN TO B.S. 8888



THIRD ANGLE PROJECTION



3	07.10.93	CN 5341
2	27.02.92	CN 5303
1	15.07.91	PROD. ISSUE
ISSUE	DATE	DESCRIPTION
DRAWN	MG	CHECKED
		CERTD.
		SCALE
		N.T.S

PROTECTIVE FINISH CLEAN
 WEIGHT: -
 TOLERANCES FOR DIMENSIONS
 DIMS. SHOWN THUS >449 ±1
 DIMS. SHOWN THUS 1. ±0.4
 DIMS. SHOWN THUS 1.0 ±0.15
 DIMS. SHOWN THUS 1.00 ±0.05
 UNLESS OTHERWISE STATED
 ALL DIMENSIONS IN MILLIMETRES

MATERIAL

Clarke Instruments Ltd.

STORES REF.

TITLE

TYPE 903 RELEASE

DRG.No. A3

903-201