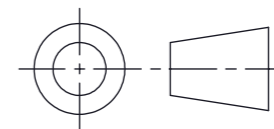


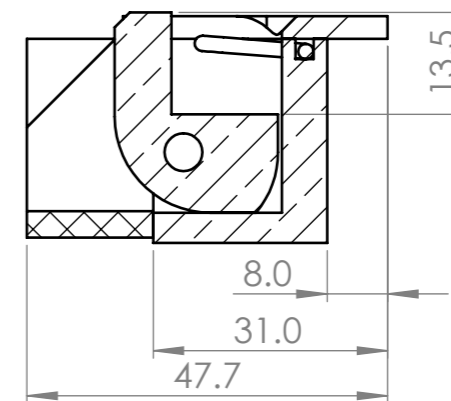
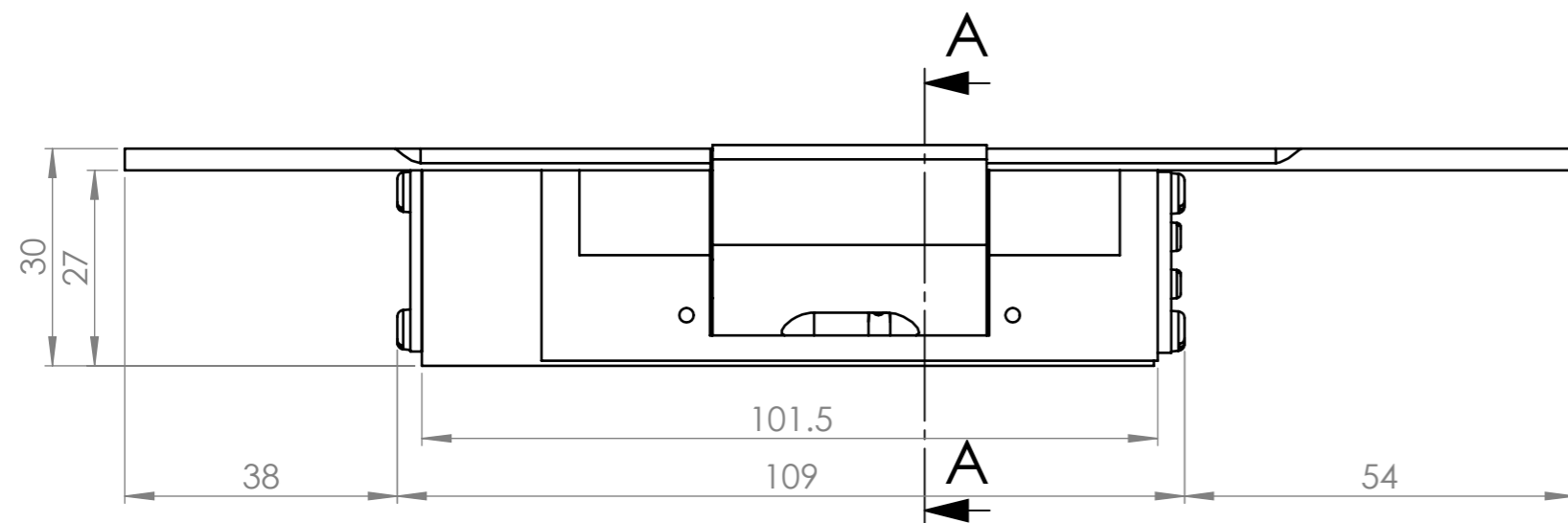
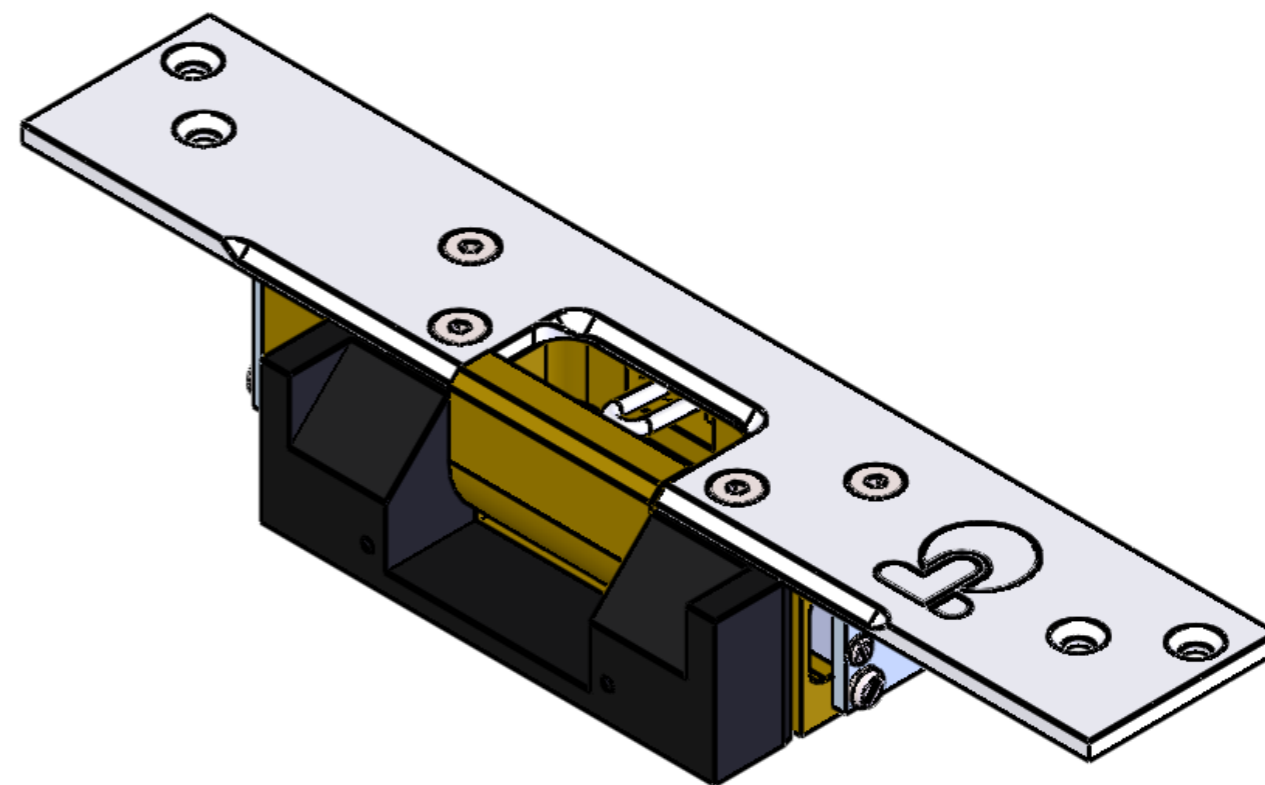
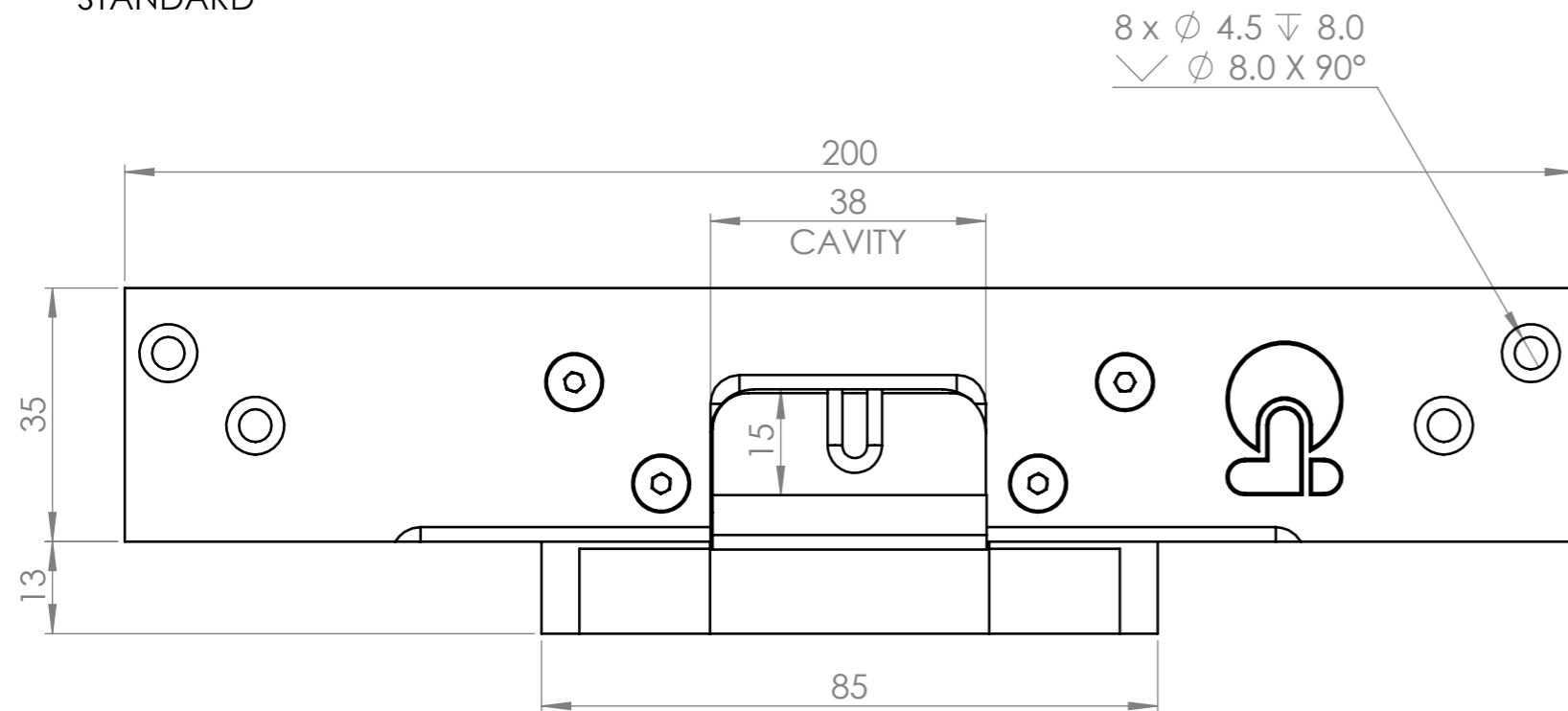
DRG.No.	913-202
USED ON	
TYPE	913

STANDARD

DRAWN TO B.S. 8888



THIRD ANGLE PROJECTION



SECTION A-A

			PROTECTIVE FINISH	MATERIAL	Clarke Instruments Ltd.	
			WEIGHT: -	STORES REF.		
			TOLERANCES FOR DIMENSIONS	TITLE	DRG.No. A3	
			DIMS. SHOWN THUS >449 ±1	SALES DRAWING WITH RAMP	913-202	
			DIMS. SHOWN THUS 1. ±0.4			
			DIMS. SHOWN THUS 1.0 ±0.15			
			DIMS. SHOWN THUS 1.00 ±0.05			
			UNLESS OTHERWISE STATED			
			ALL DIMENSIONS IN MILLIMETRES			
ISSUE	DATE	DESCRIPTION				
A	13.01.16	INITIAL ISSUE				
DRAWN	MG	CHECKED	CERTD.	SCALE	N.T.S	SHEET 1 OF 1