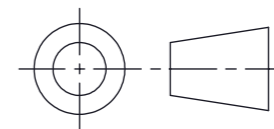
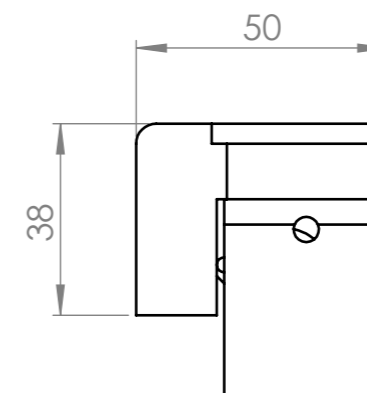
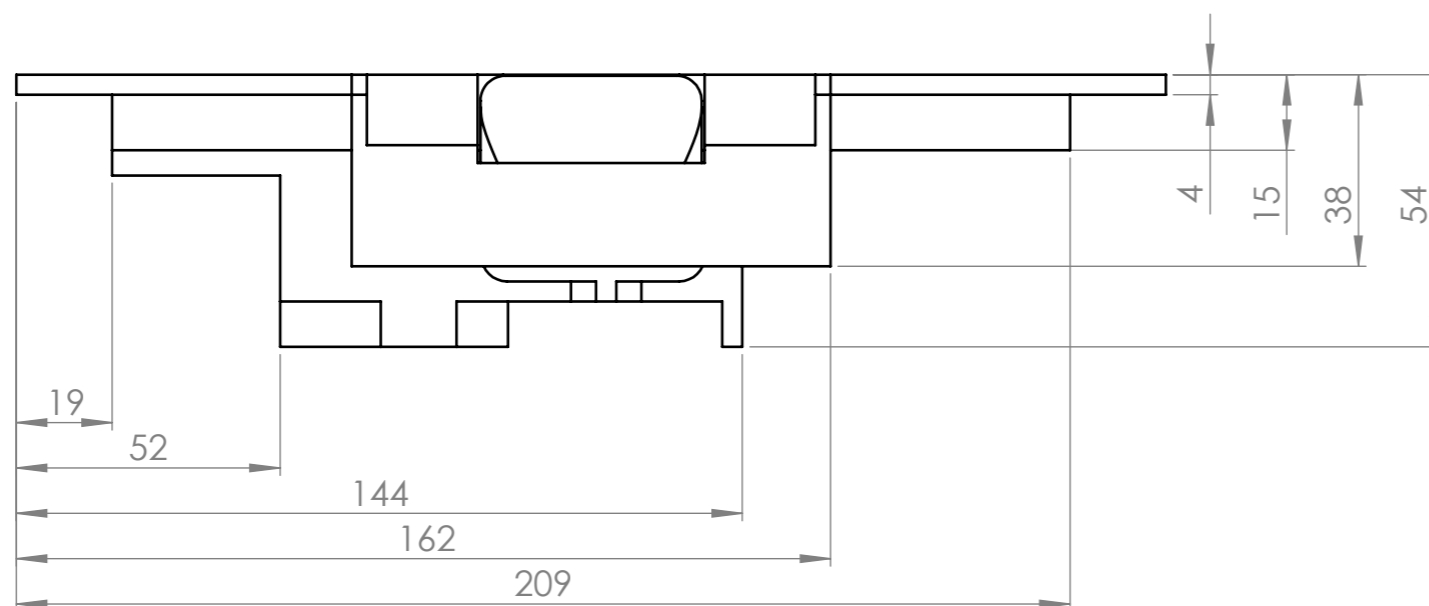
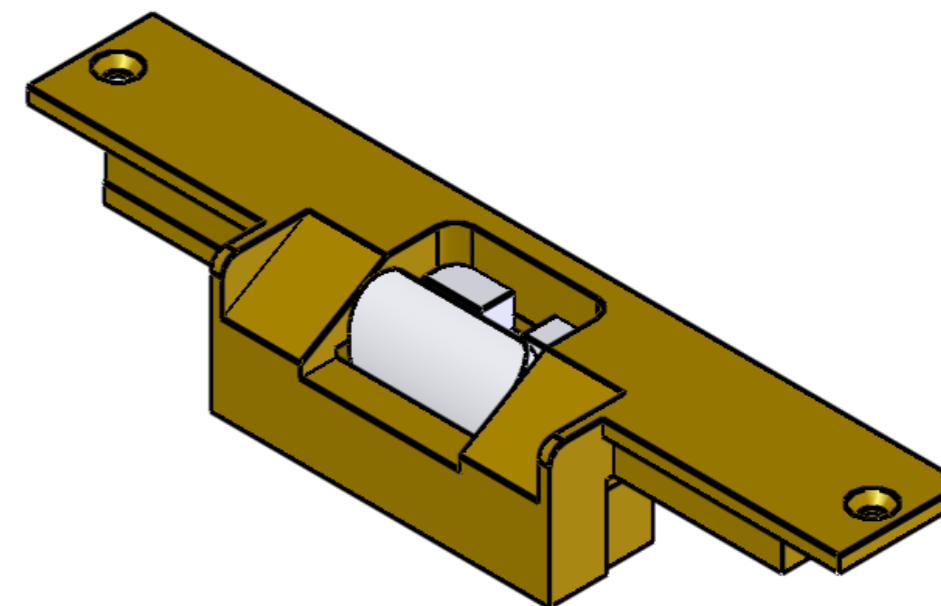
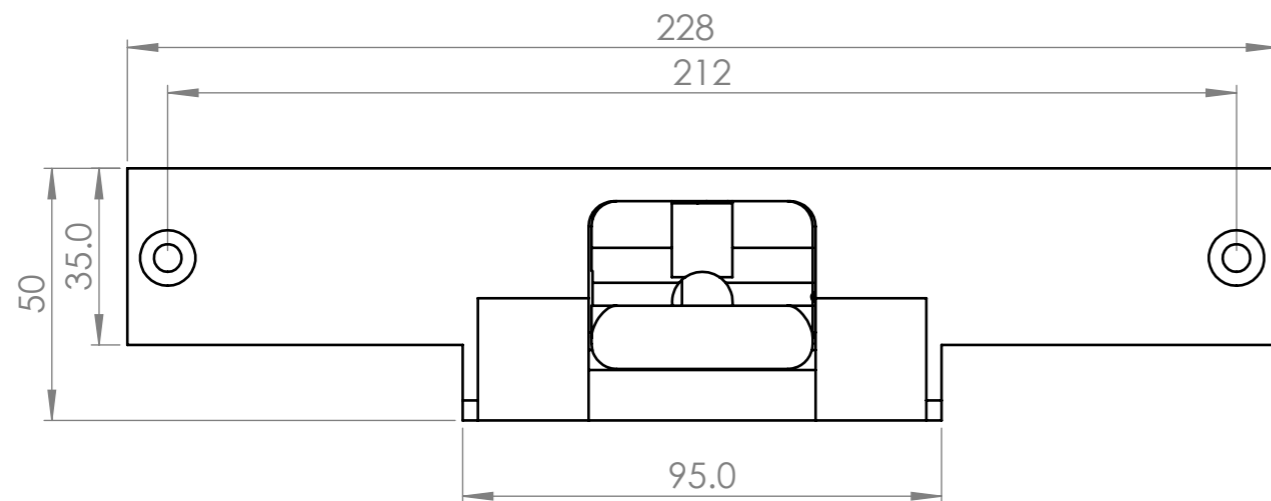


DRG.No.	924-0001
USED ON	

DRAWN TO B.S. 8888



THIRD ANGLE PROJECTION



			PROTECTIVE FINISH	CLEAN	MATERIAL	Clarke Instruments Ltd.	
			WEIGHT:	-	STORES REF.		
			TOLERANCES FOR DIMENSIONS		TITLE	DRG.No. A3	
			DIMS. SHOWN THUS	>449 ±1	GENERAL ARRANGMENT	924-0001	
			DIMS. SHOWN THUS	1. ±0.4			
			DIMS. SHOWN THUS	1.0 ±0.15			
			DIMS. SHOWN THUS	1.00 ±0.05			
			UNLESS OTHERWISE STATED				
			ALL DIMENSIONS IN MILLIMETRES				
-	-	-					
A	06.01.16	INITIAL ISSUE					
ISSUE	DATE	DESCRIPTION					
DRAWN	MG	CHECKED	CERTD.	SCALE	N.T.S		